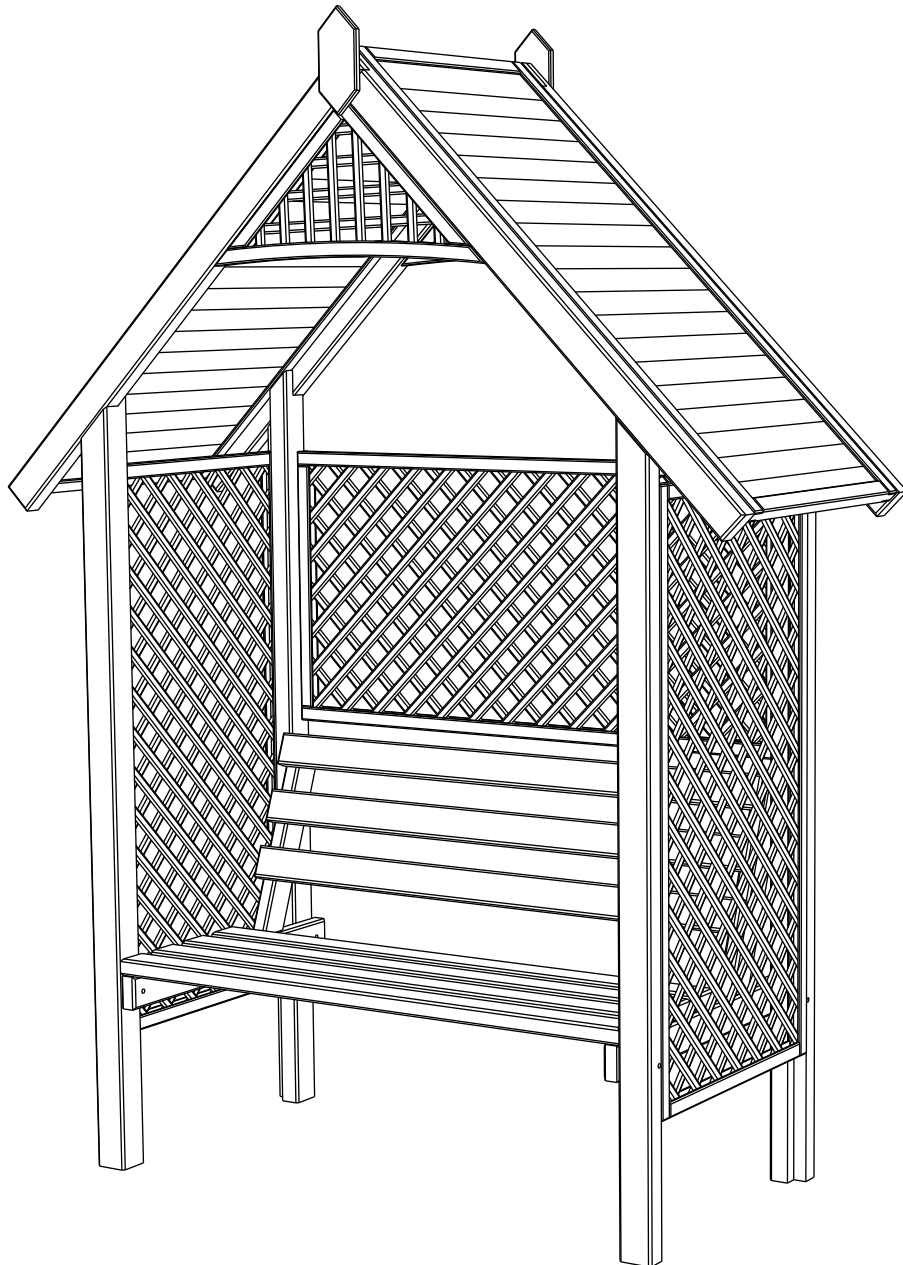


VALENCIA ARBOUR

VALARB 235cm [H] x 174cm [W] x 72cm [D]

221406A001OMBZ04A1



BEFORE YOU START

Check the pack/s and make sure that you have all of the parts listed below.

If not, contact your retailer who will be able to help you.

When you are ready to start make sure you have the right tools to hand, plenty of space with a clean and dry area for assembly.

It is advisable for two people to carry out the work.

Where the wood is screwed we advise to pre-drill the holes (the diameter of the holes should be 2mm smaller than the diameter of the used screw)

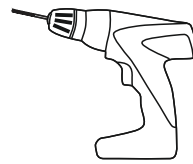
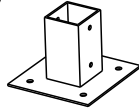
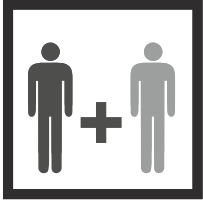
HEALTH AND SAFETY

Do not lean or stand on the roof assembly at any time - the structure is not of a load bearing design.

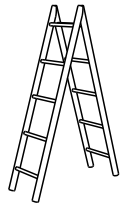
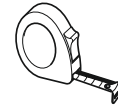
Do not overreach when working from the step ladder

In order to reduce the risk of suffocation please keep all plastic bags and small parts away from children.

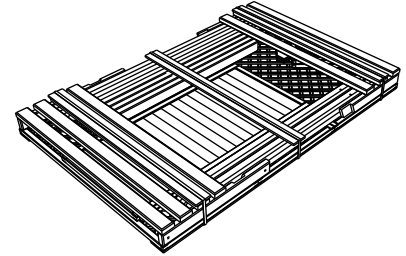
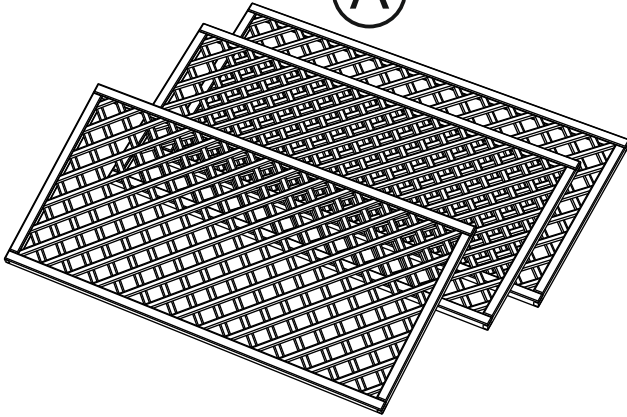
Recommended tools (not included)



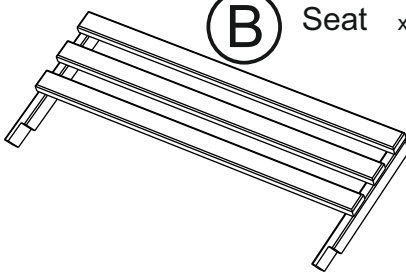
drill or screwdriver



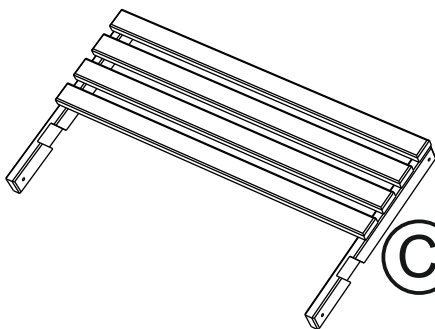
(A) Side Trellis Sections x3



(B) Seat x1



(C) Seat Back x1



Hardware pack

[u] 8x120 x4

[v] x4

[w] x4

[x]



Screws

6 cm
x10

[y]



Screws

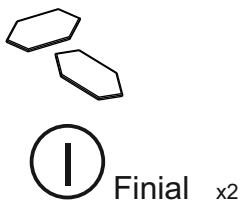
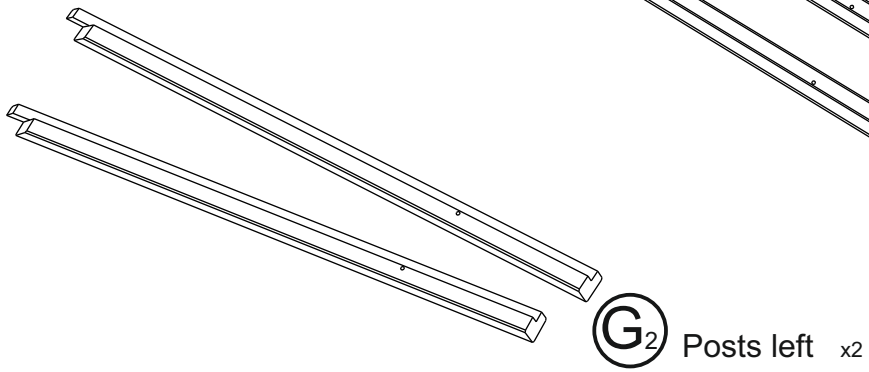
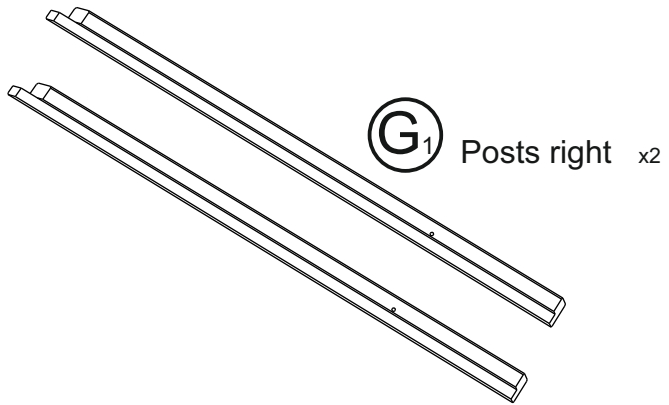
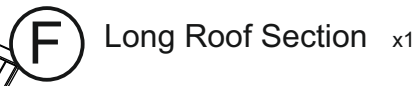
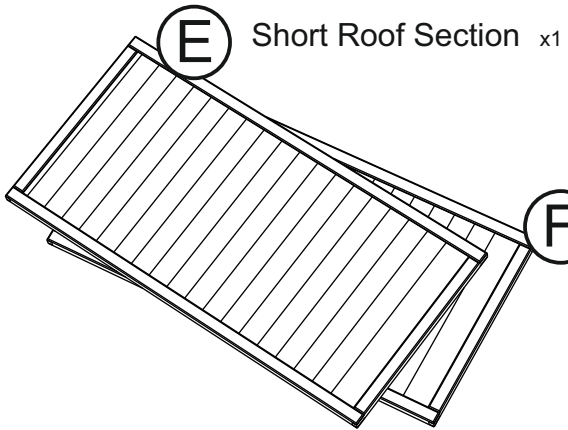
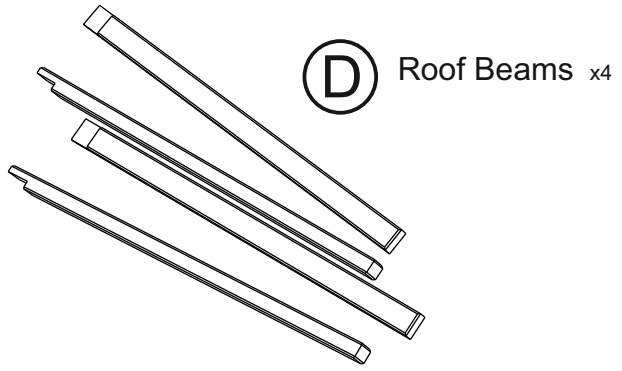
5 cm
x28

[z]

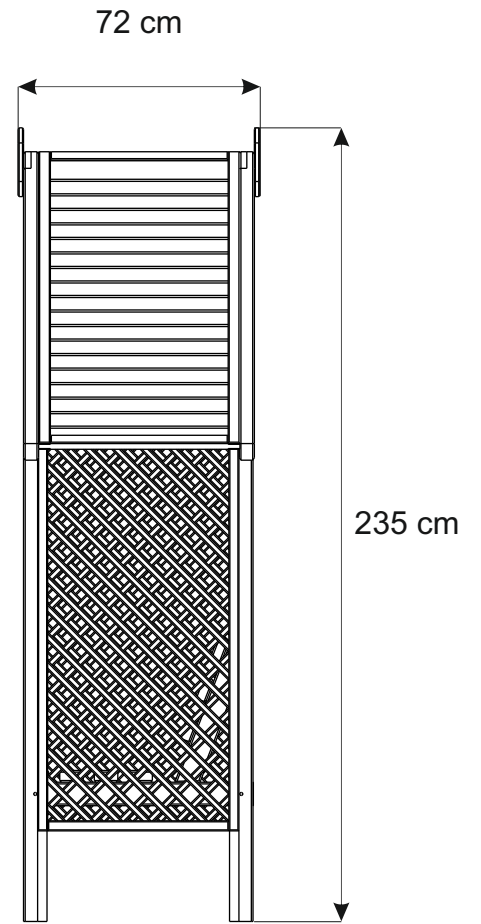
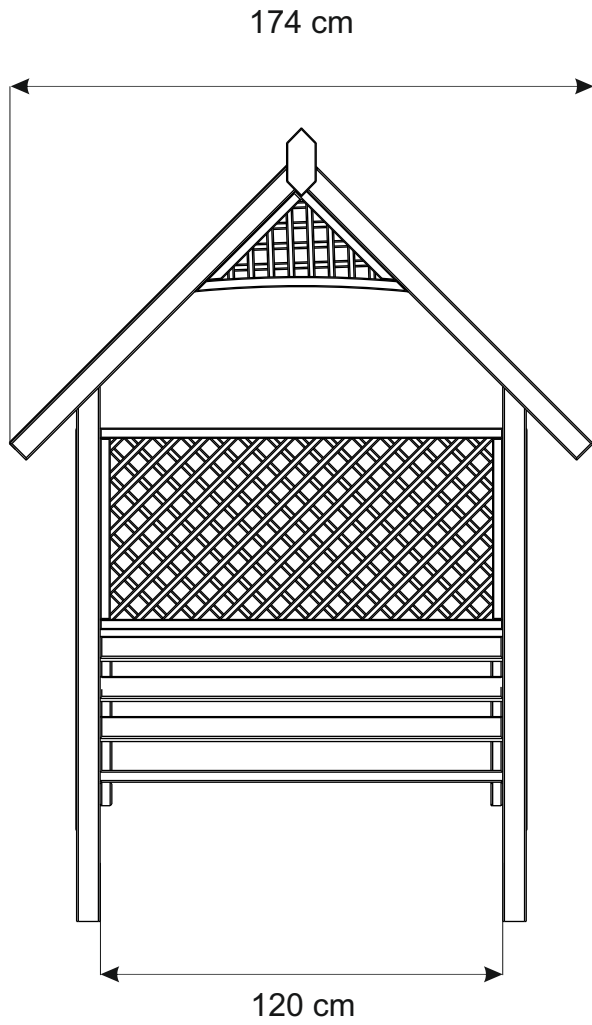


Screws

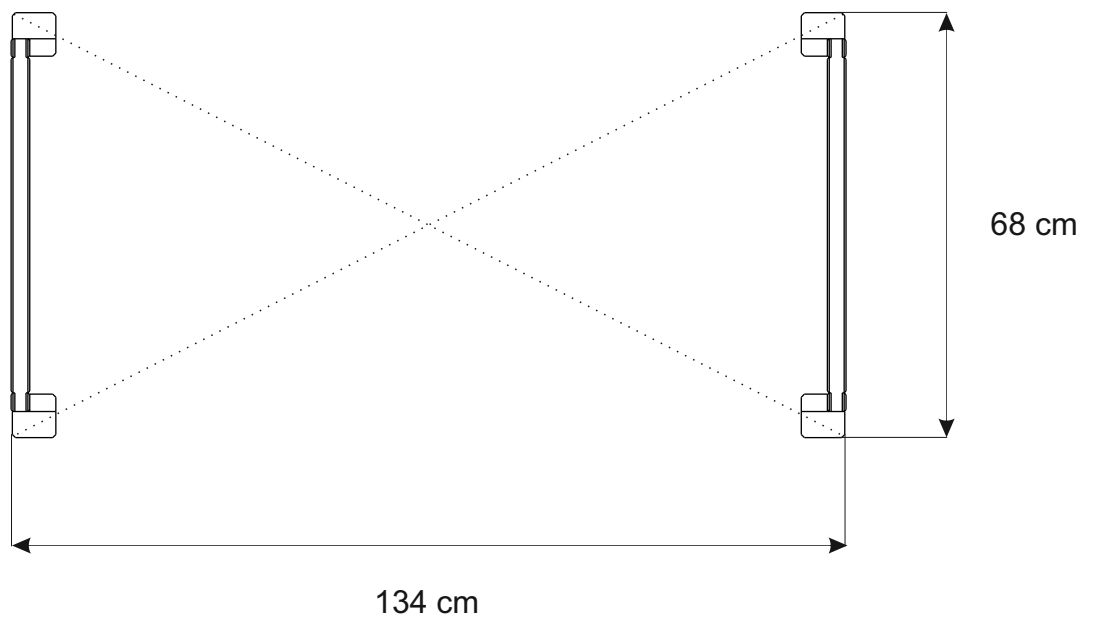
3,5 cm
x16

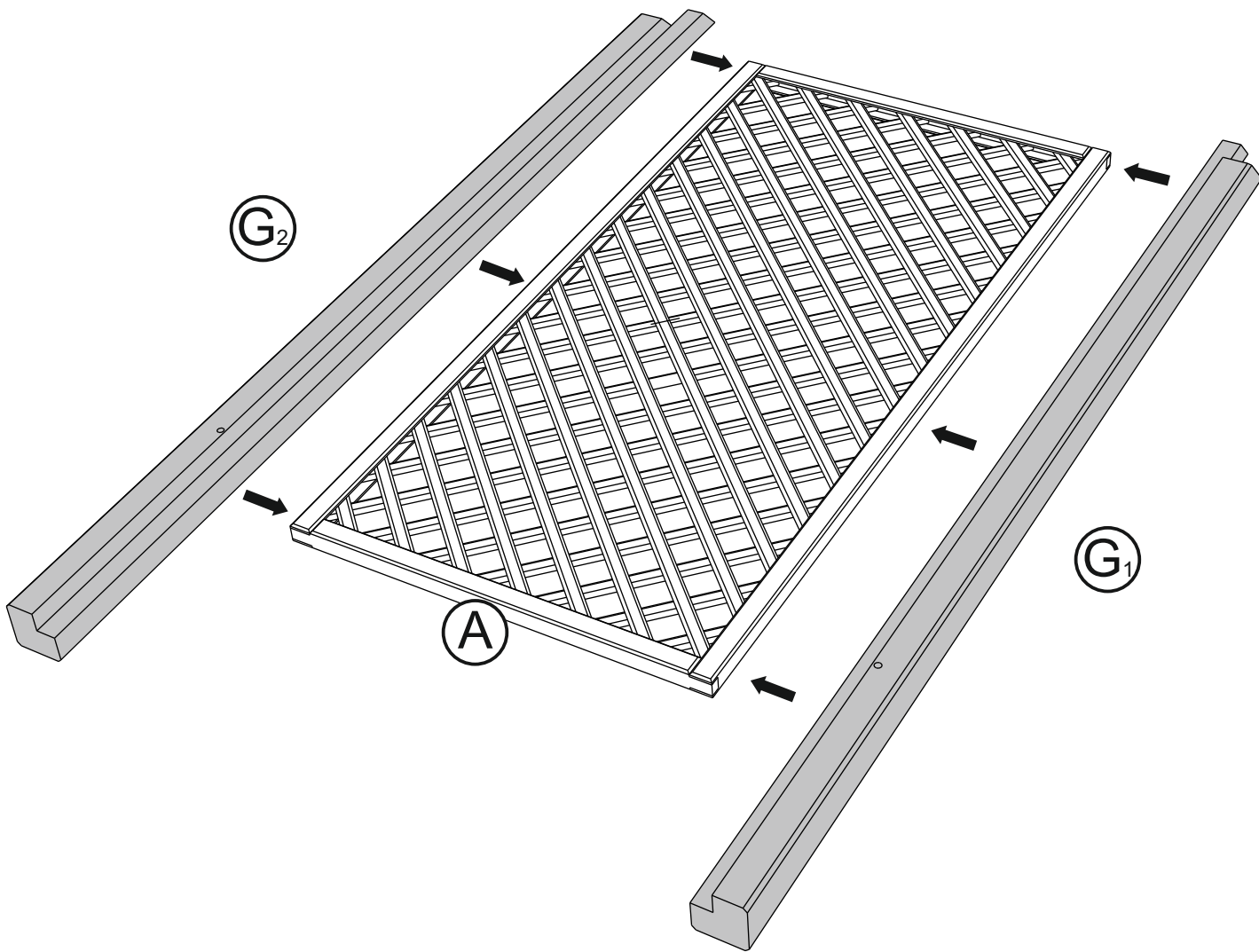


PLAN



FOOTPRINT

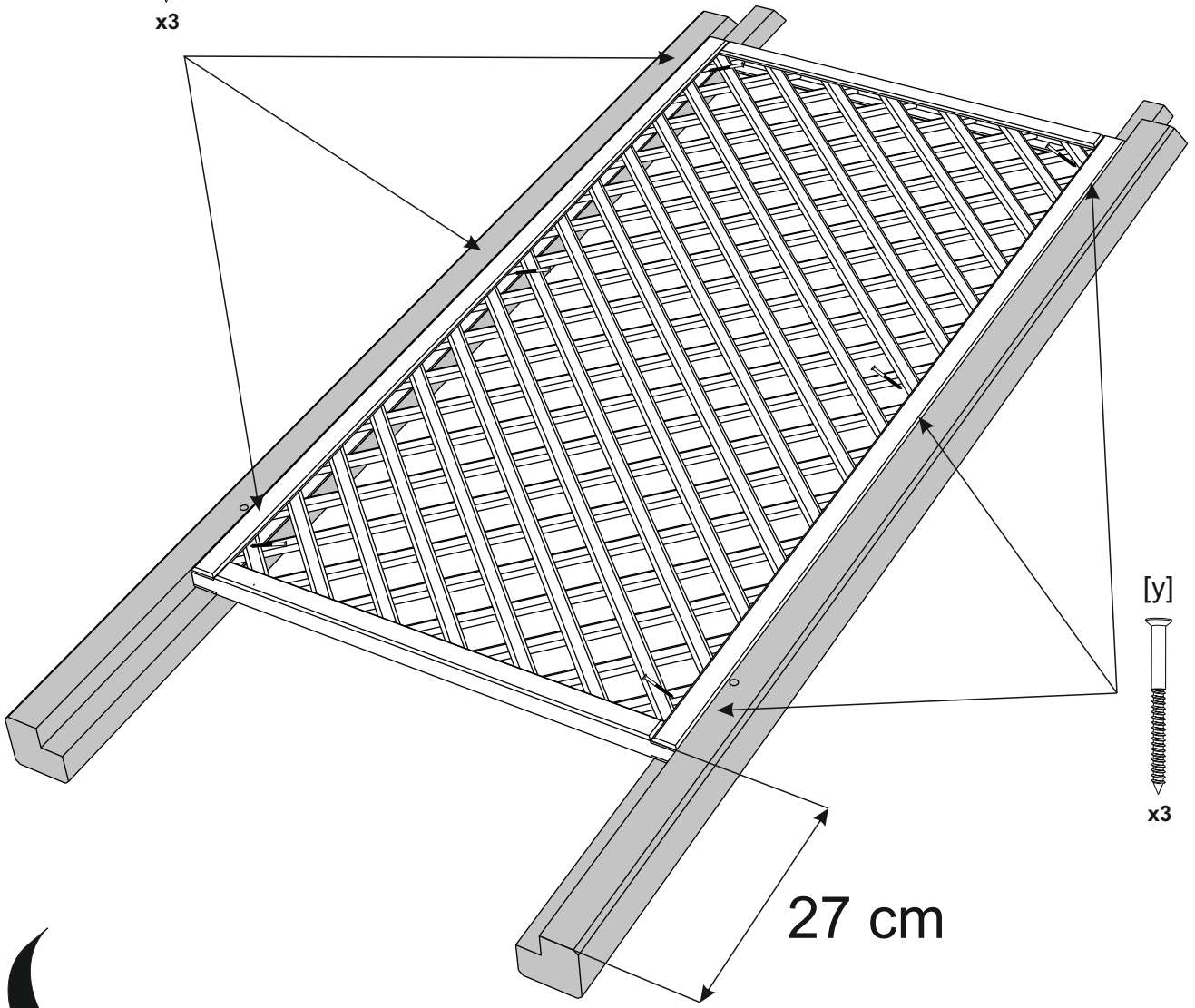




[y]



x3

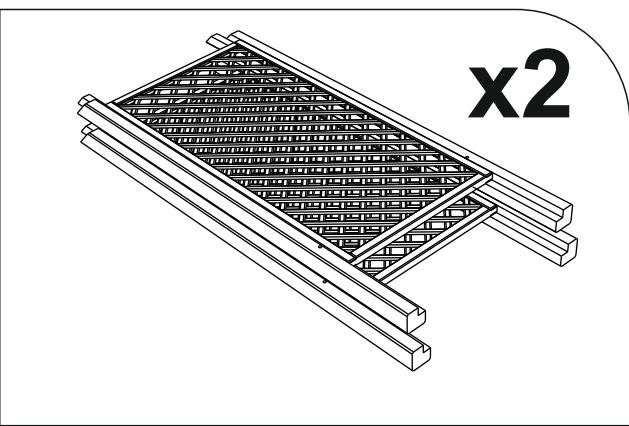


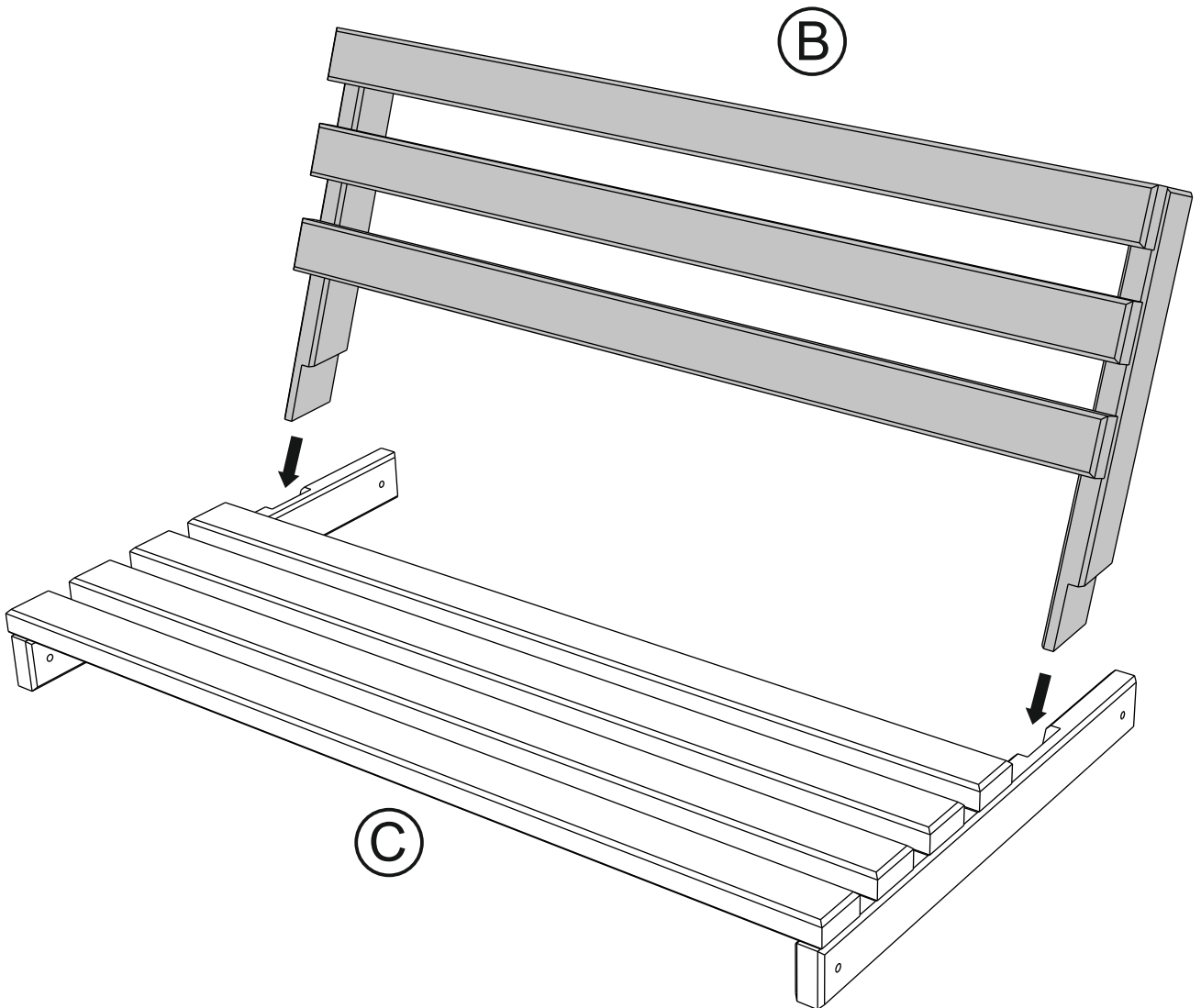
[y]

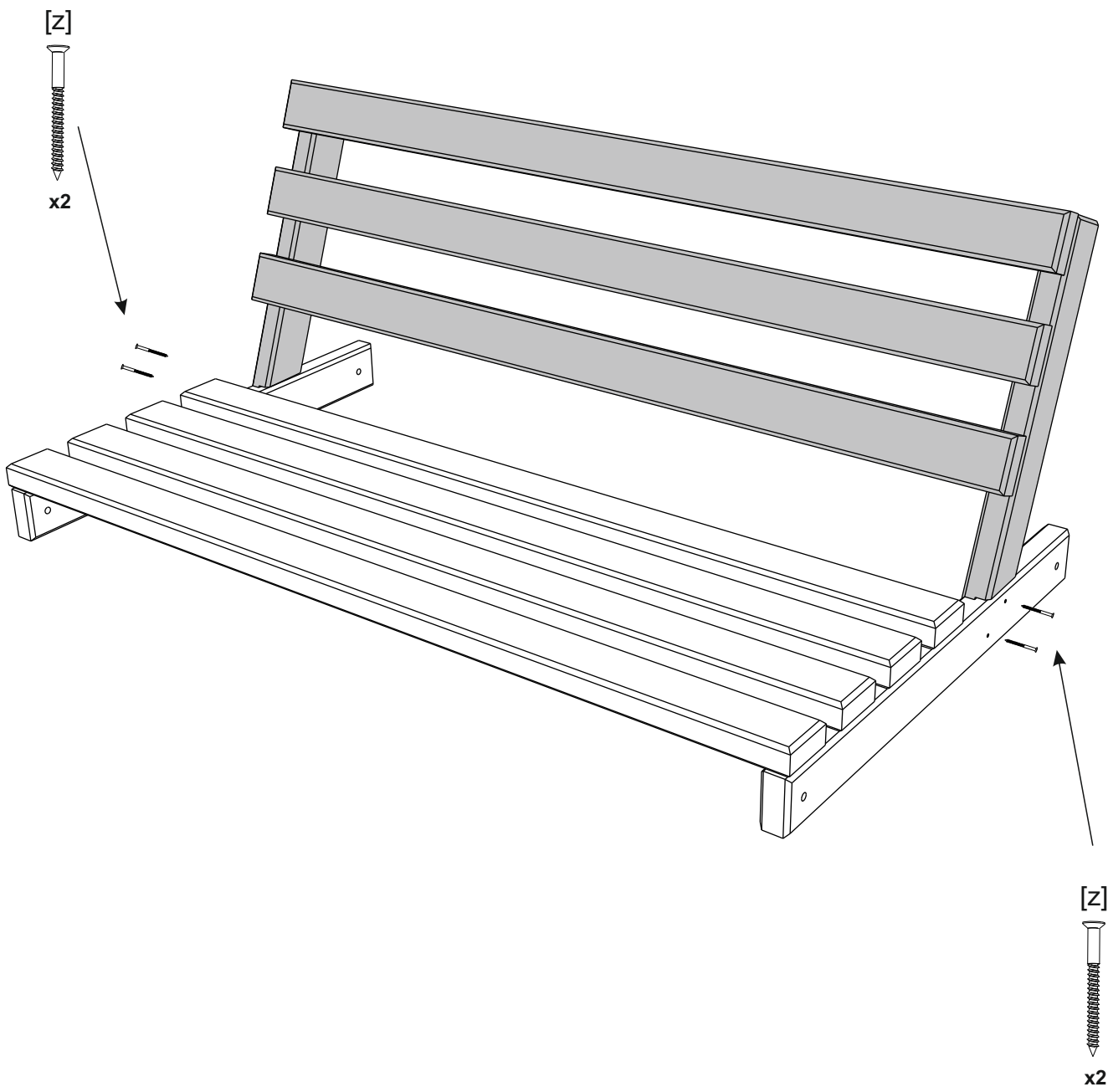


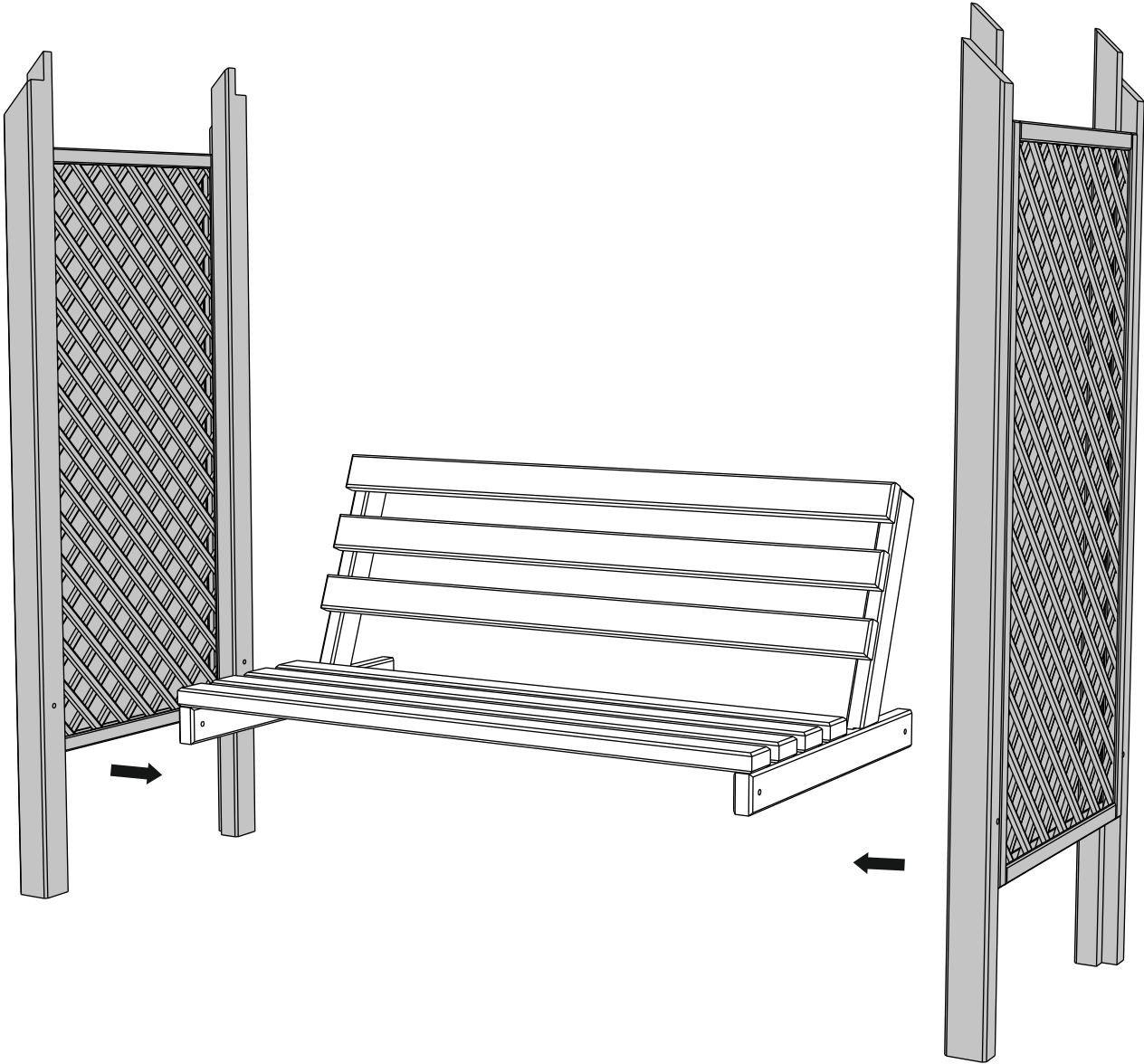
x3

27 cm





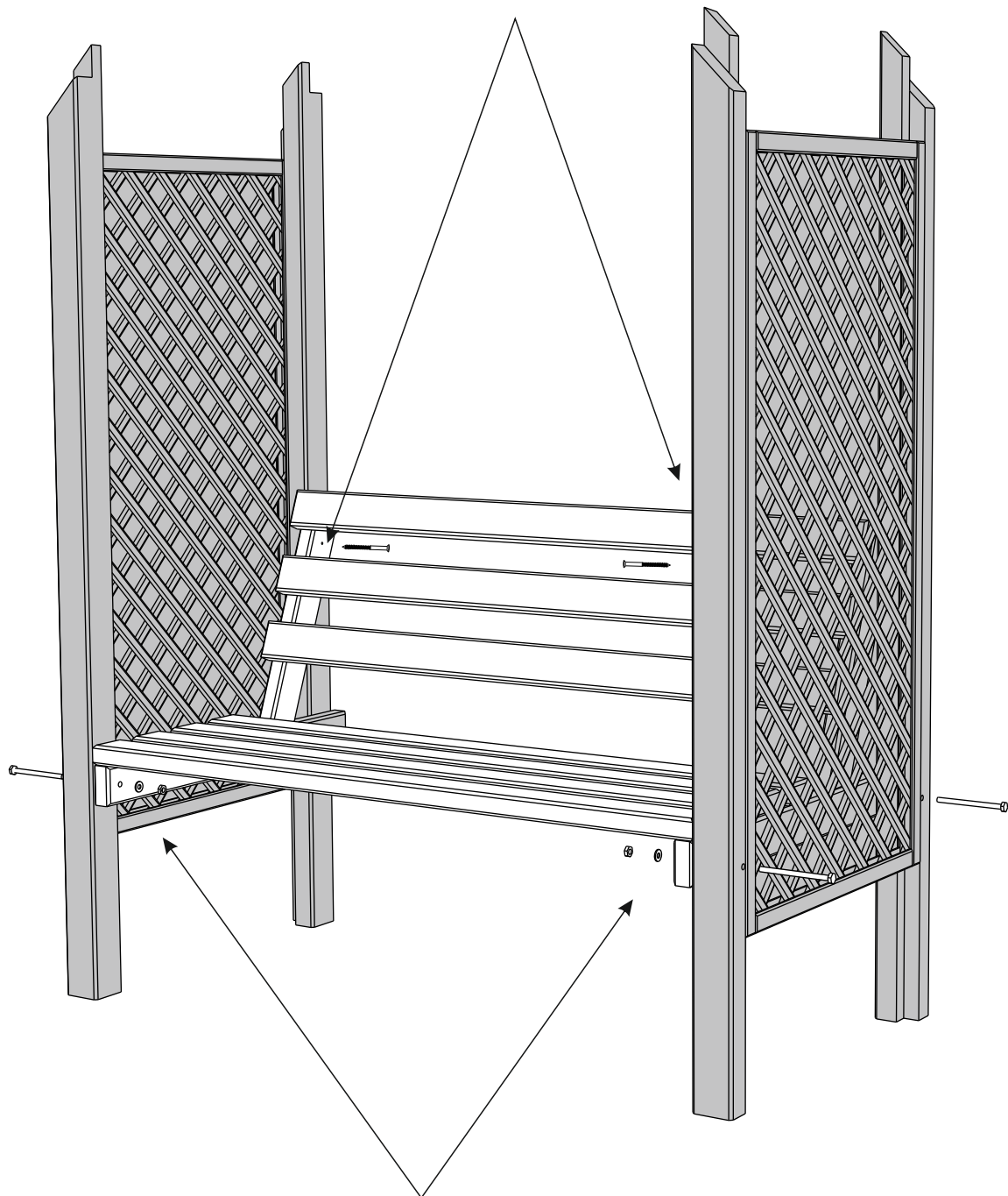





[x]

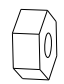


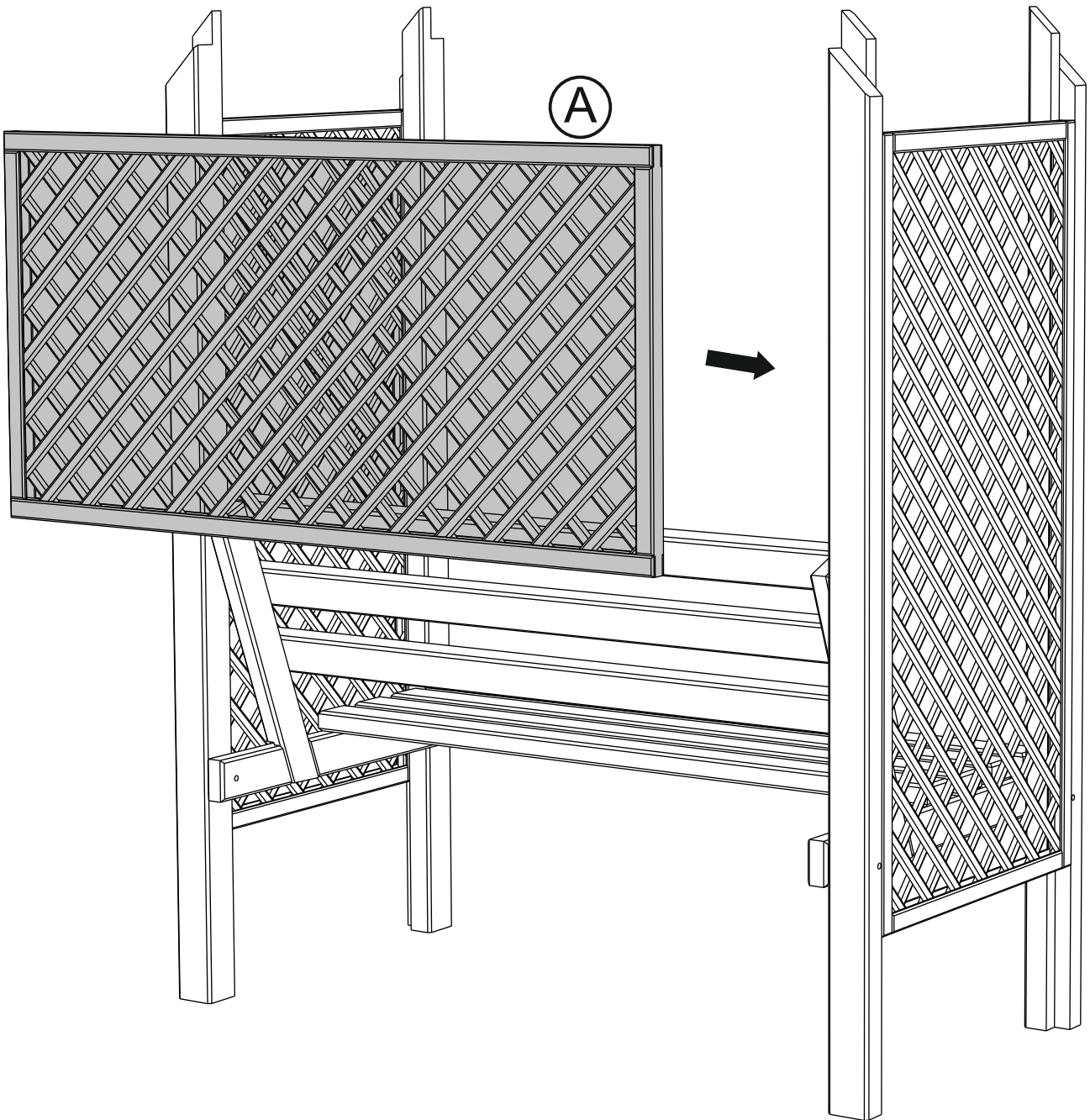
6 cm
x2



[u] 8x120 x4

[v]  x4

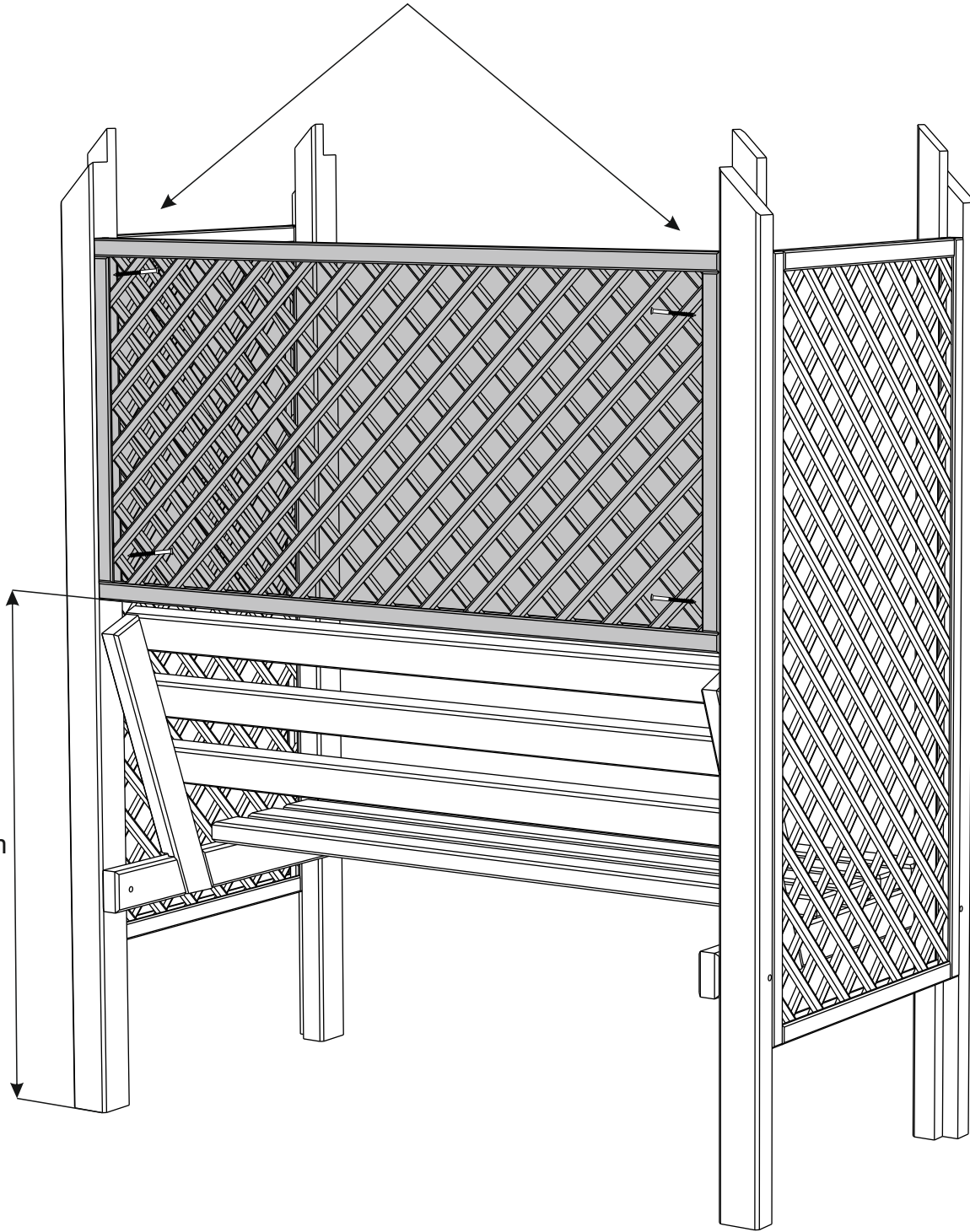
[w]  x4



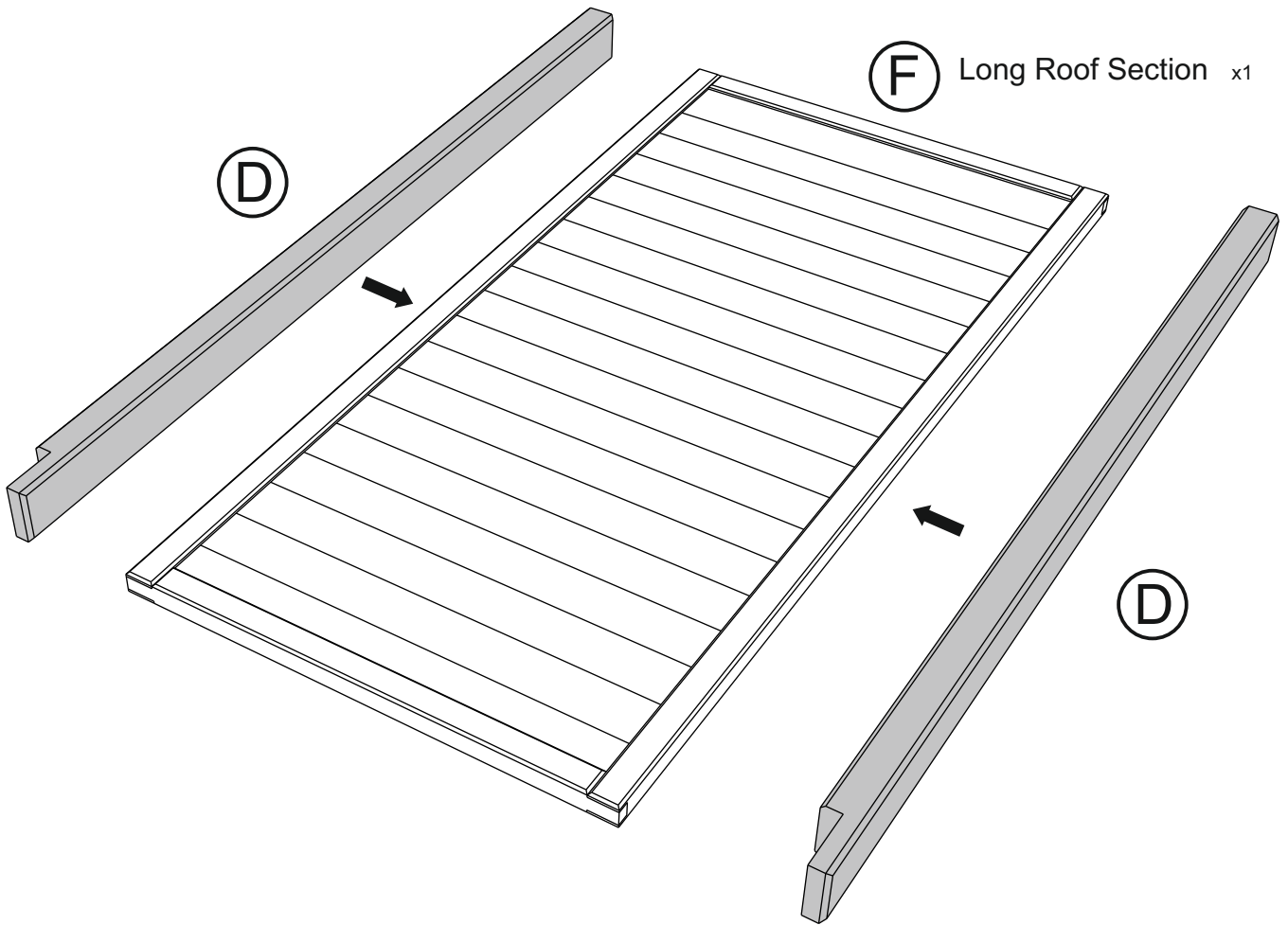
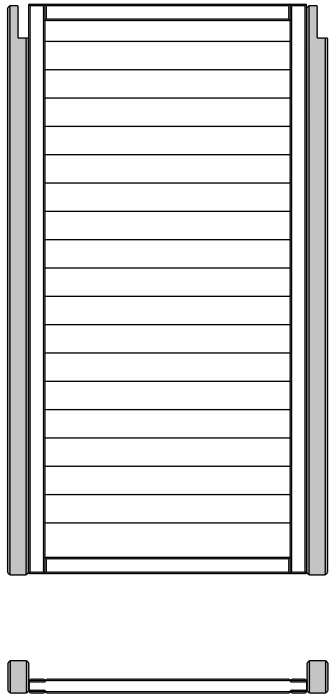
[z]

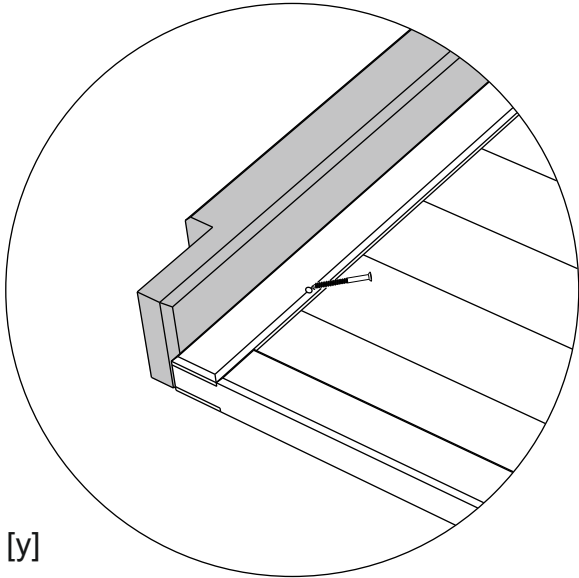


3 cm
x4



87 cm



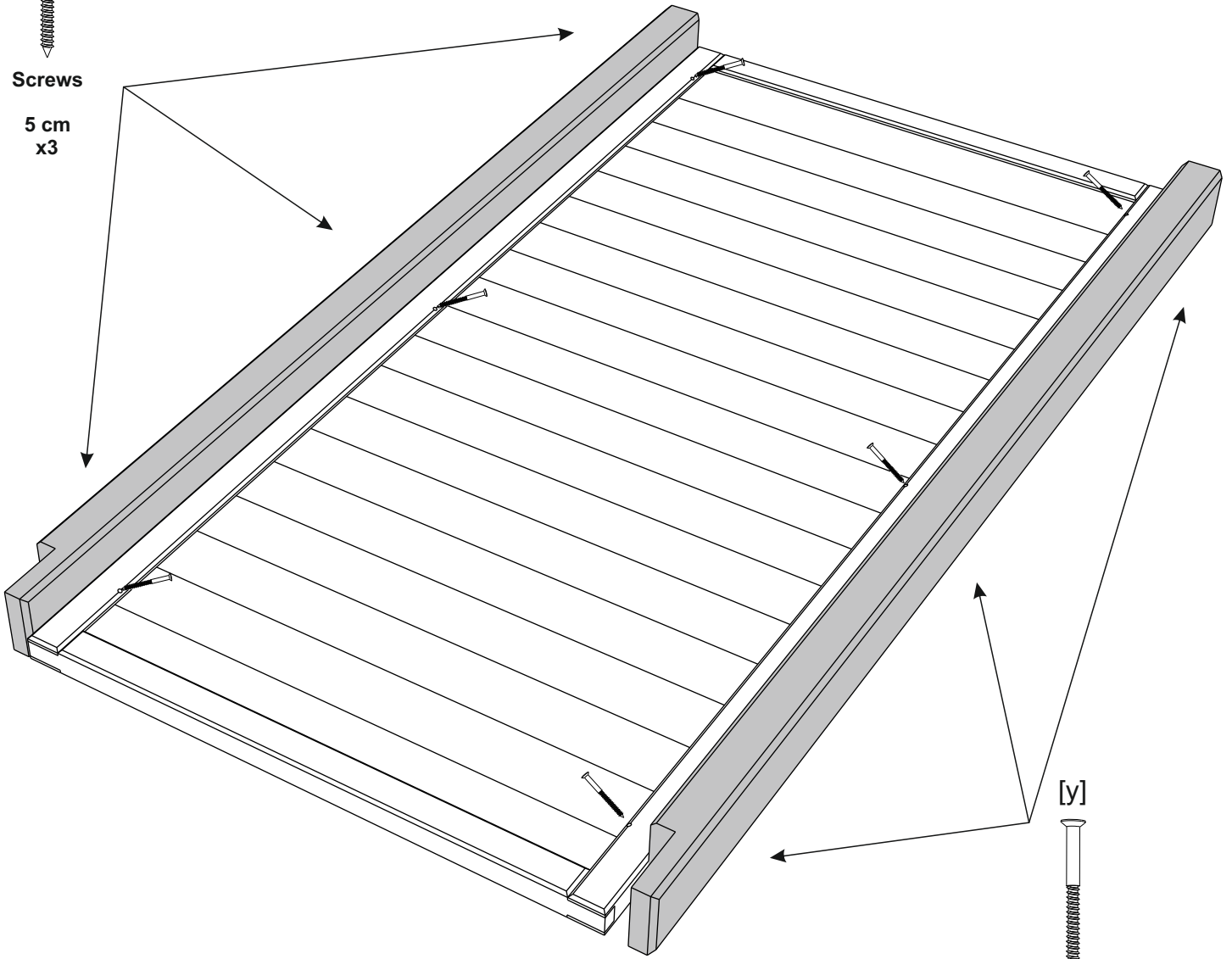


[y]



Screws

5 cm
x3

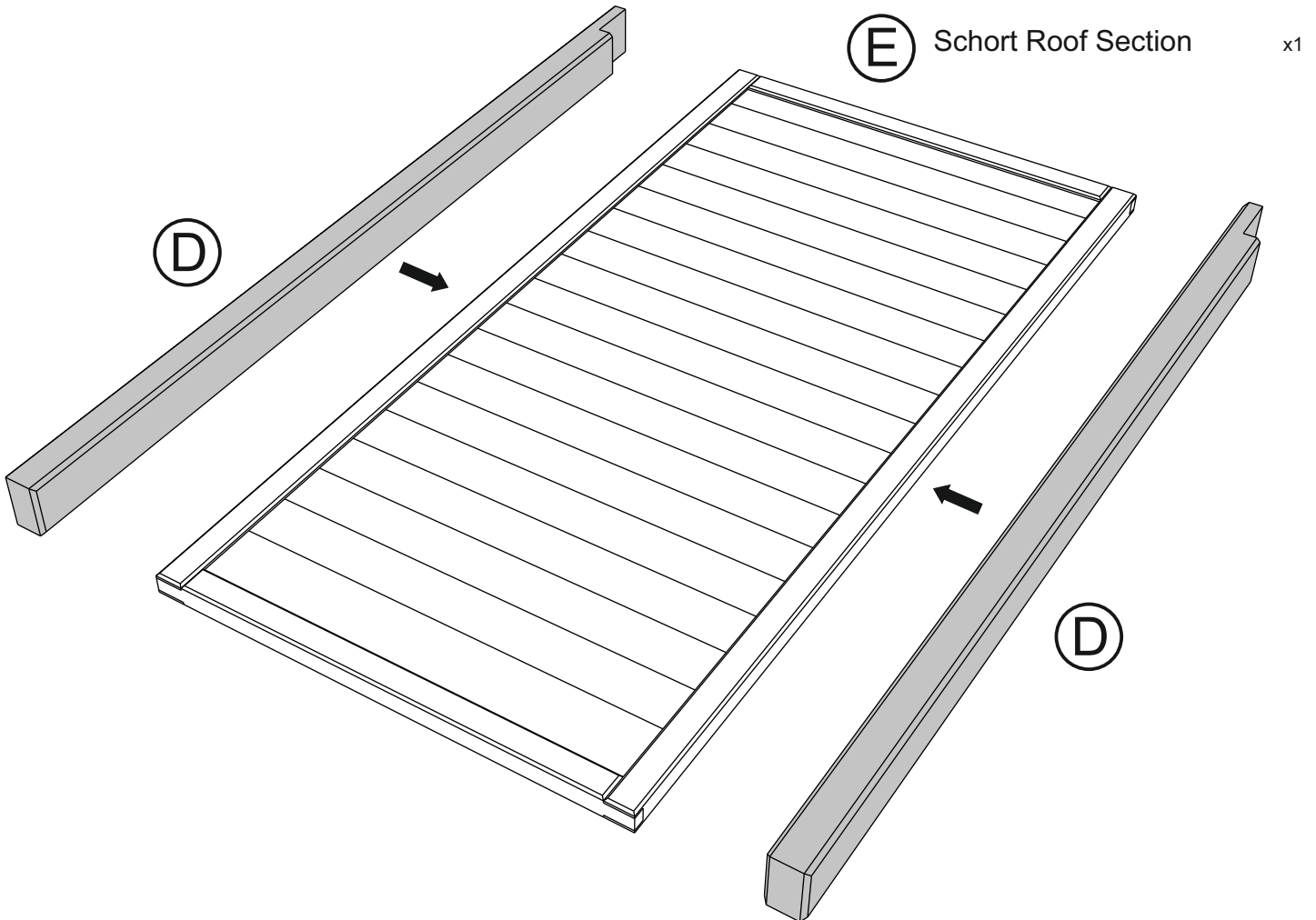
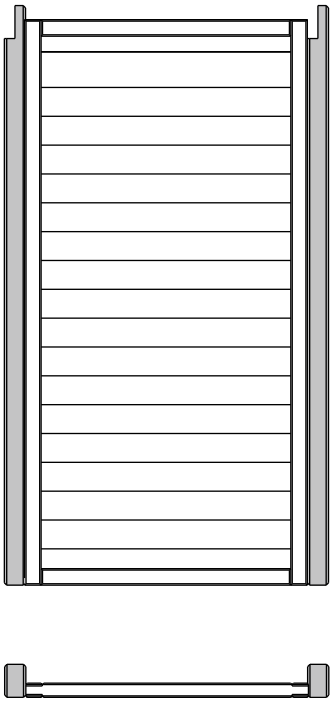


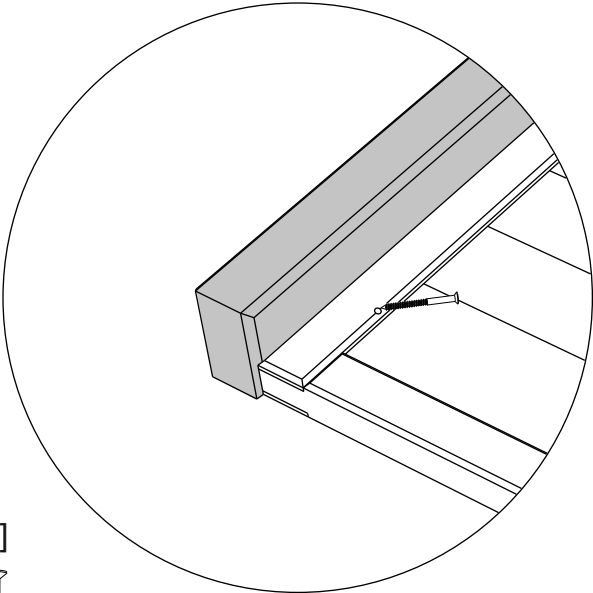
[y]



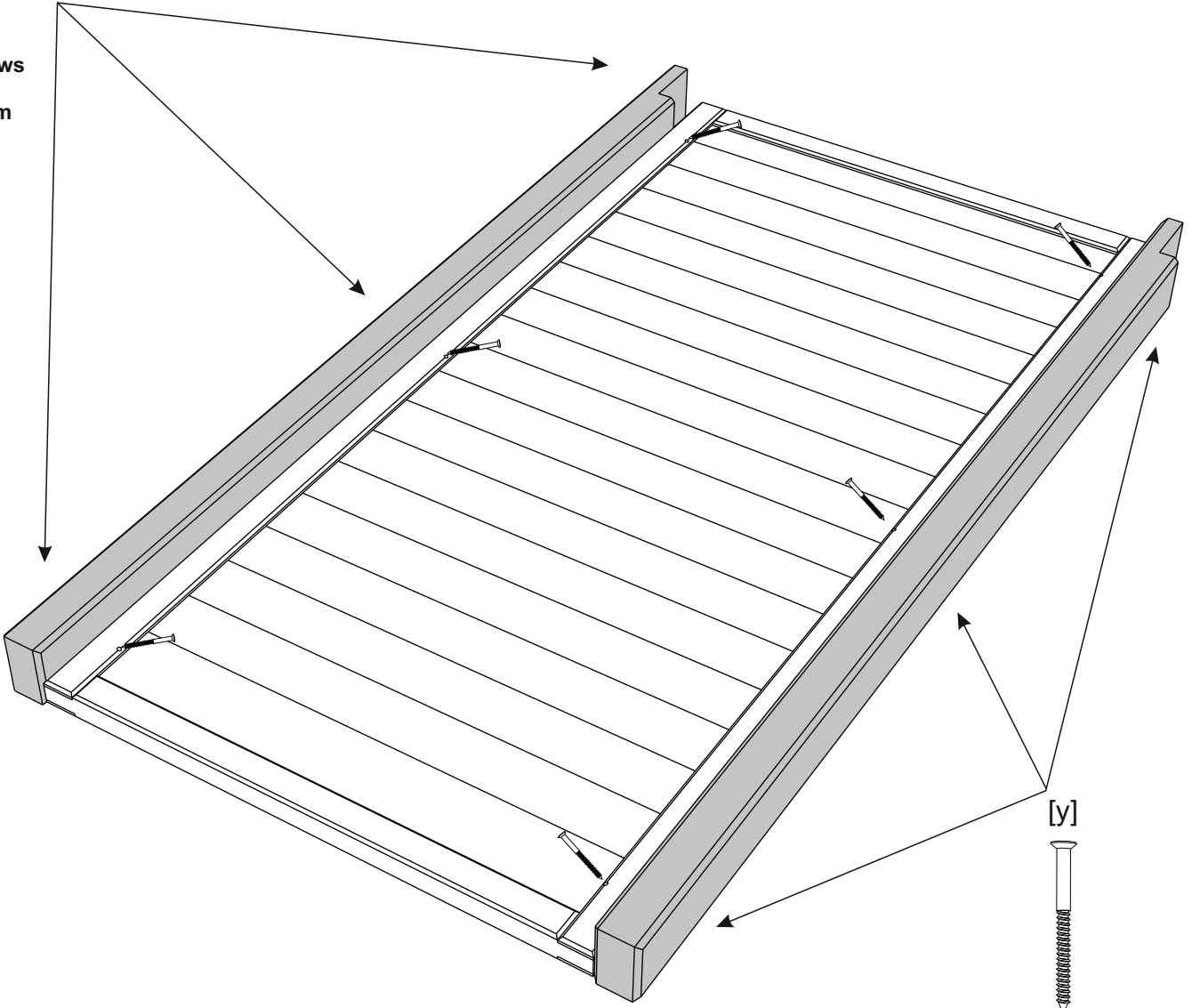
Screws

5 cm
x3

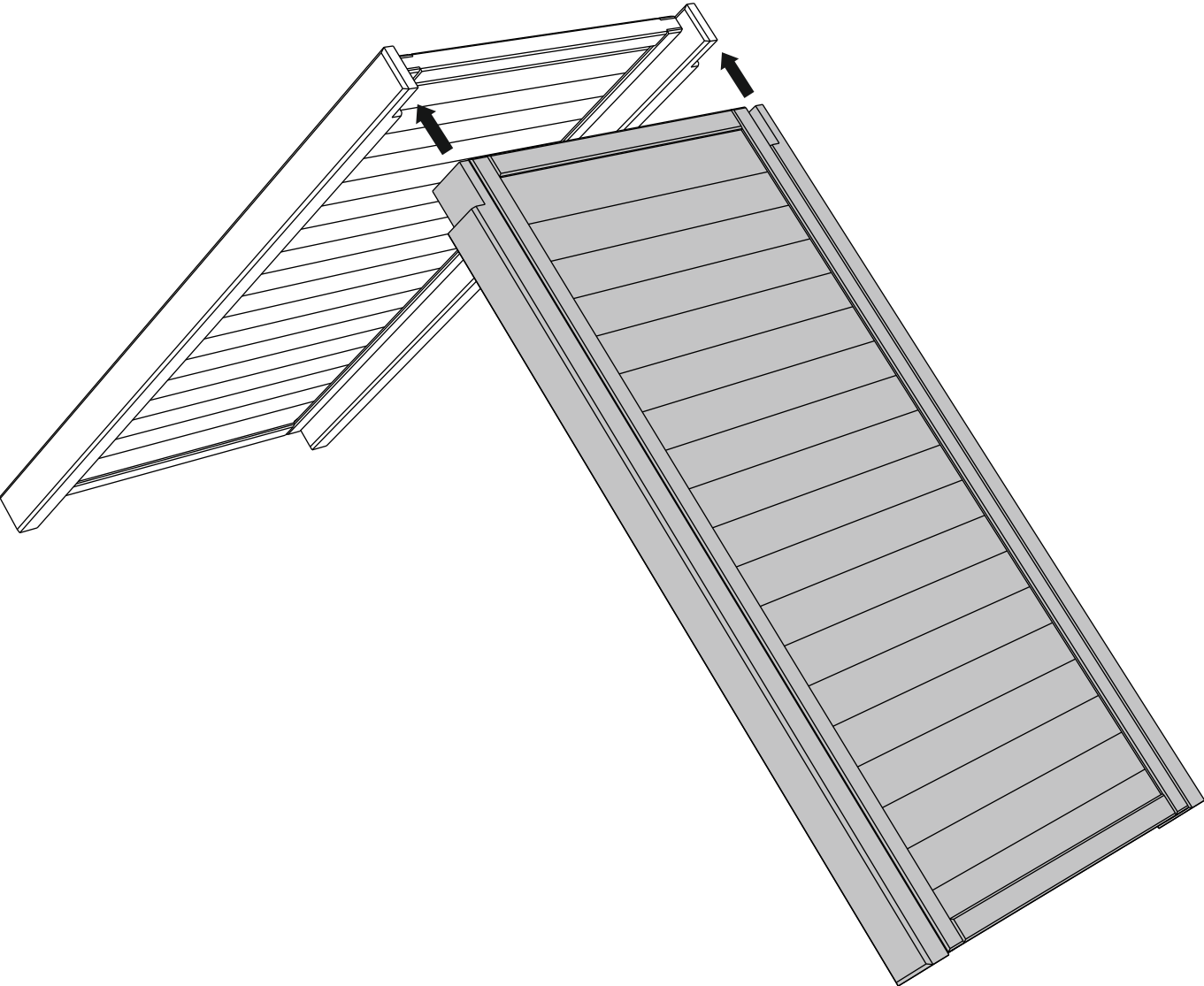


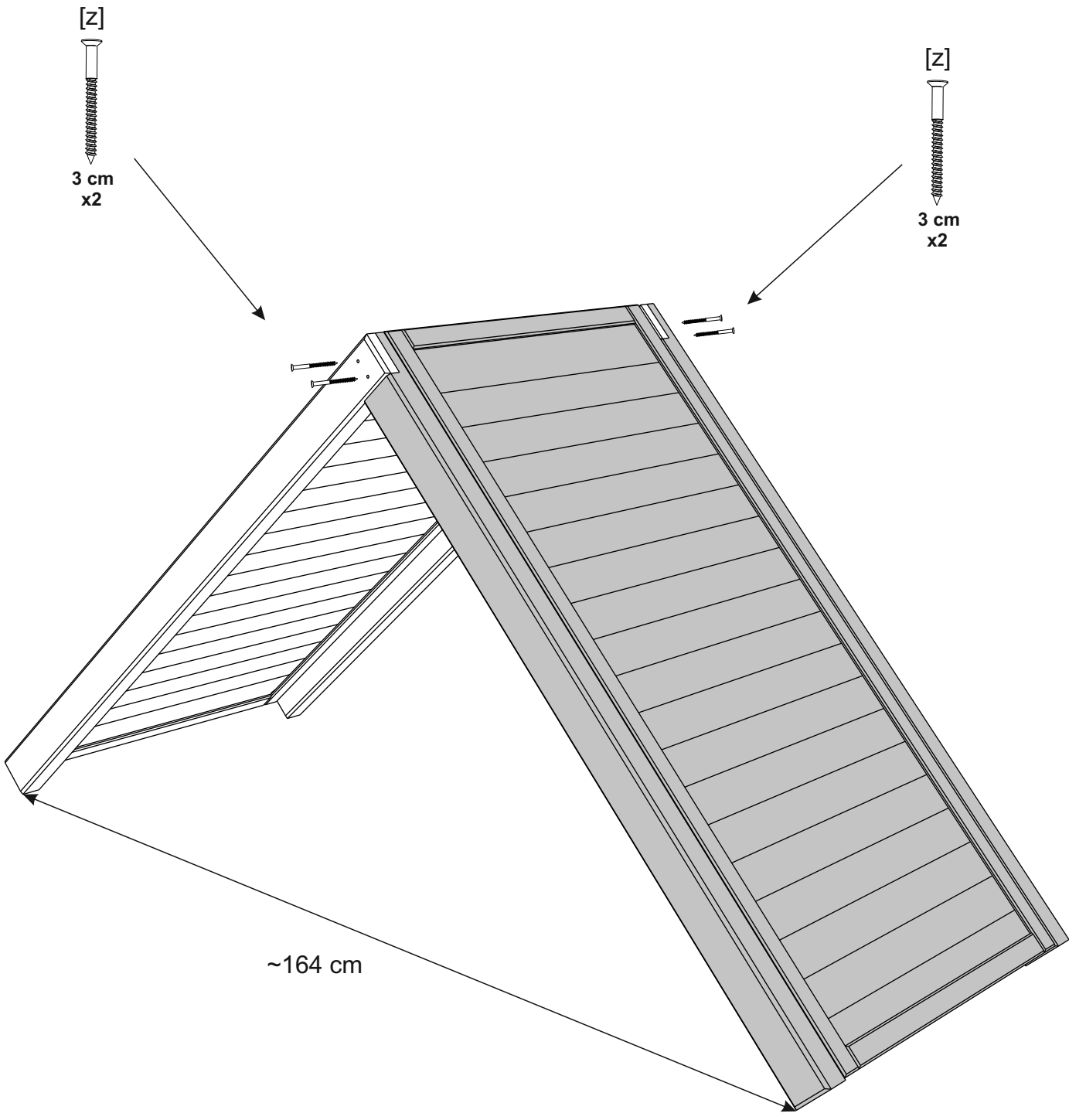


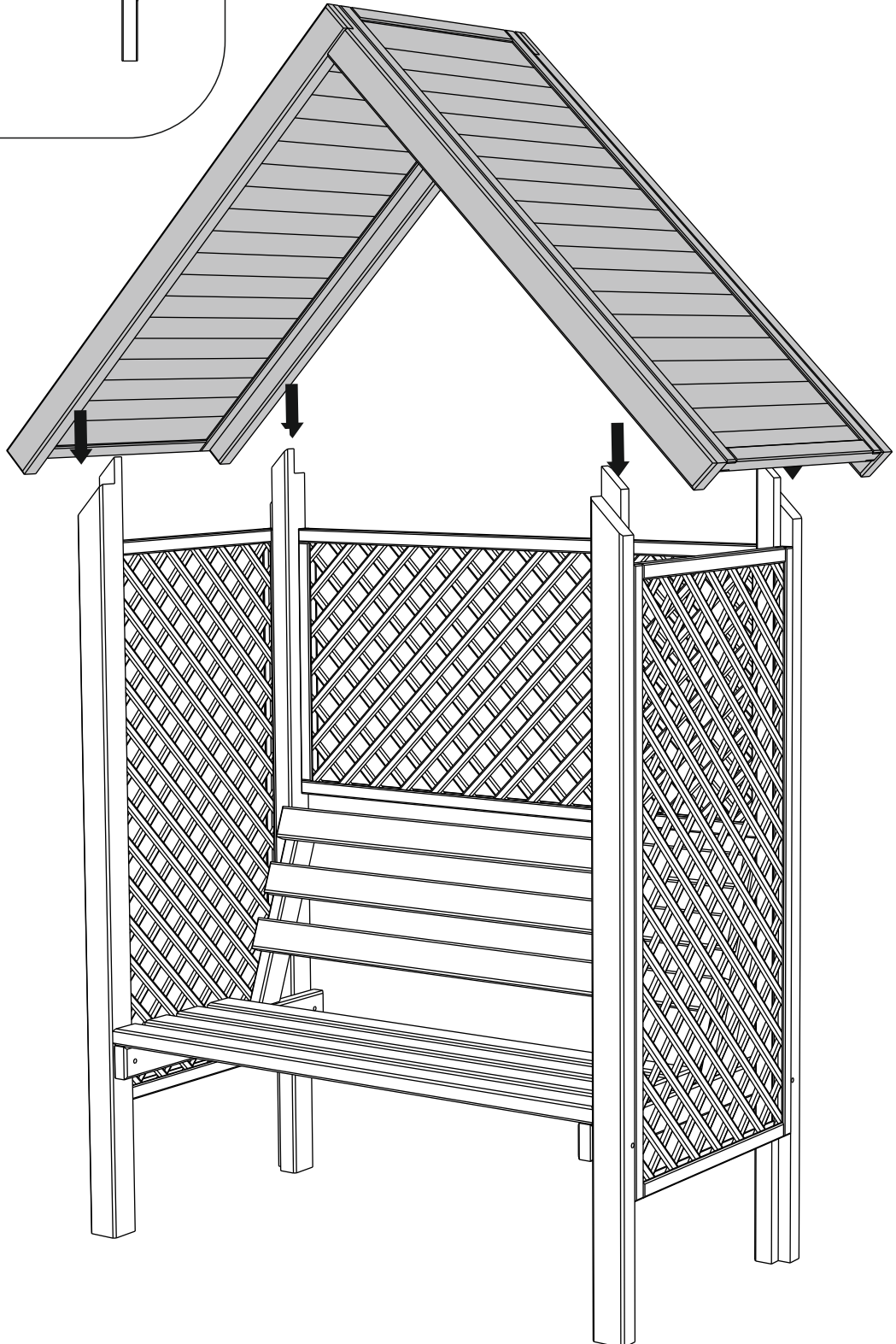
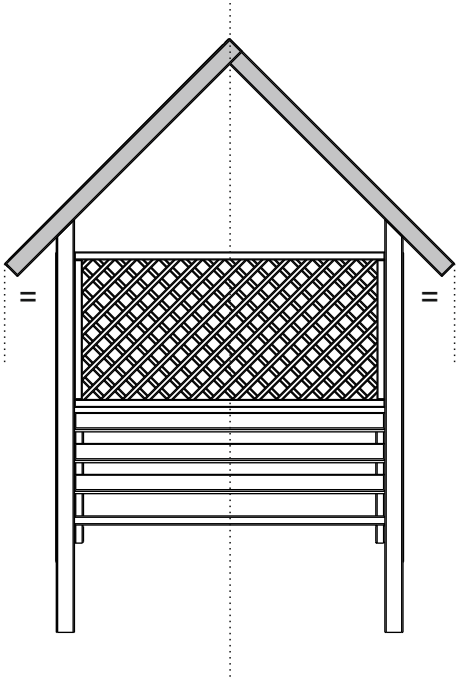
[y]
Screws
5 cm
x3

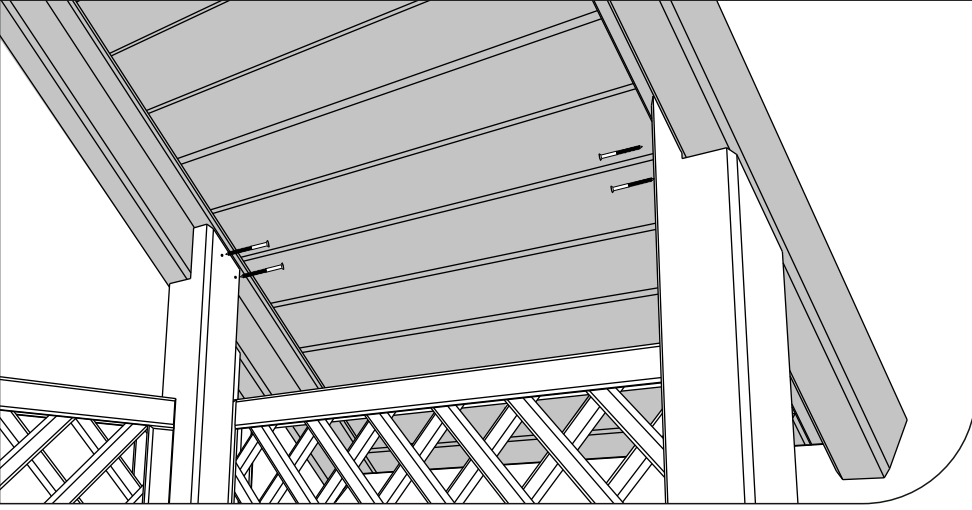


[y]
Screws
5 cm
x3

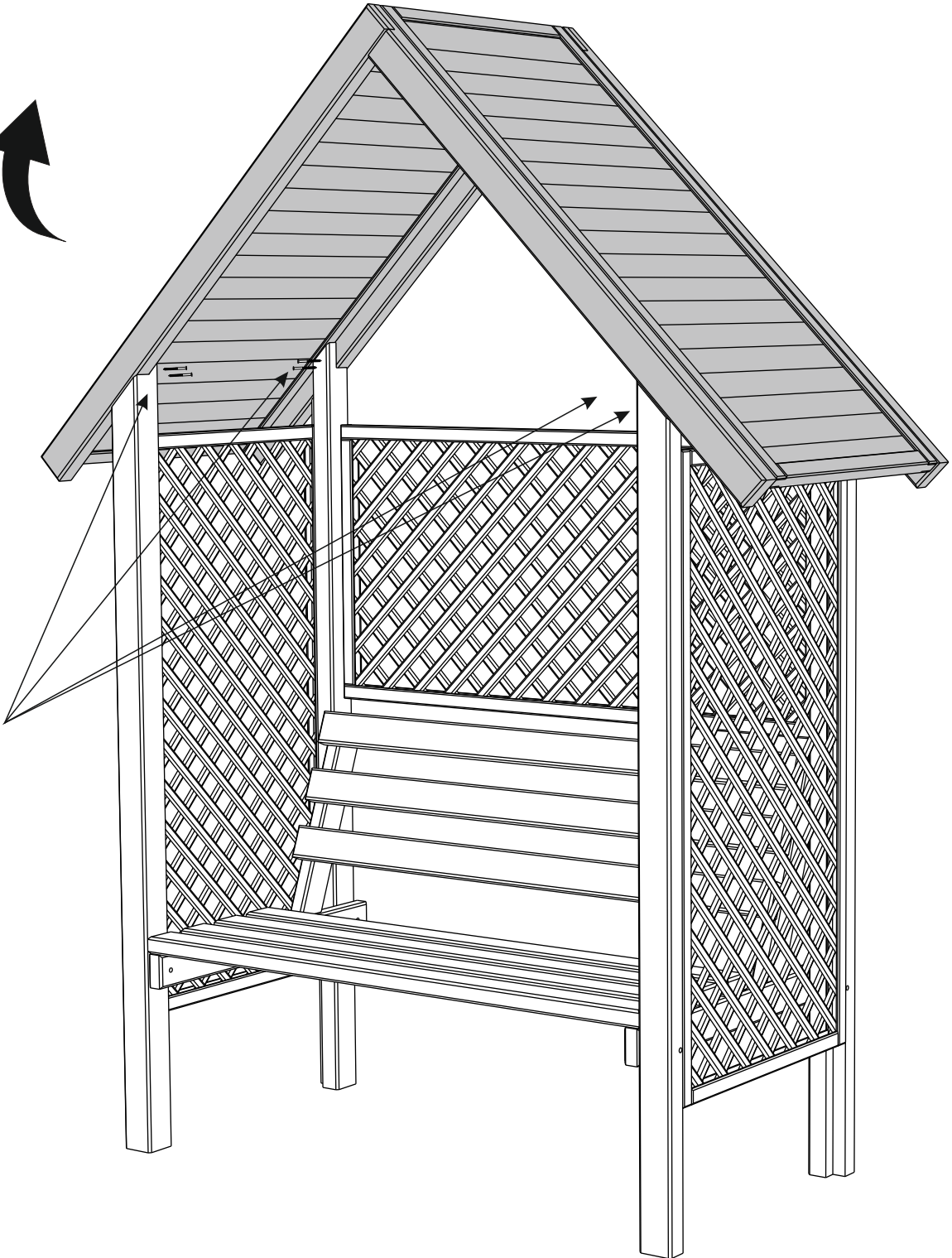


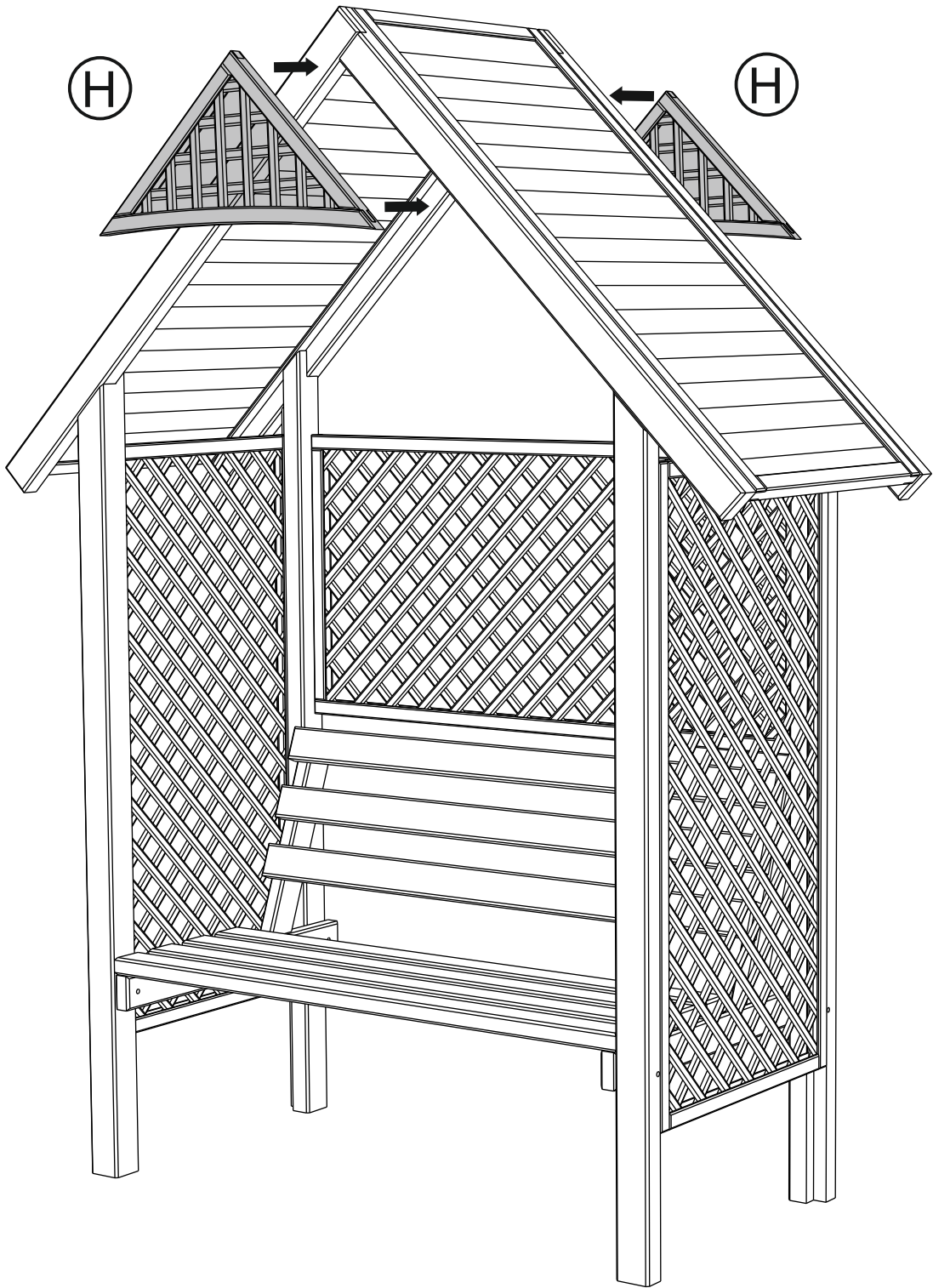


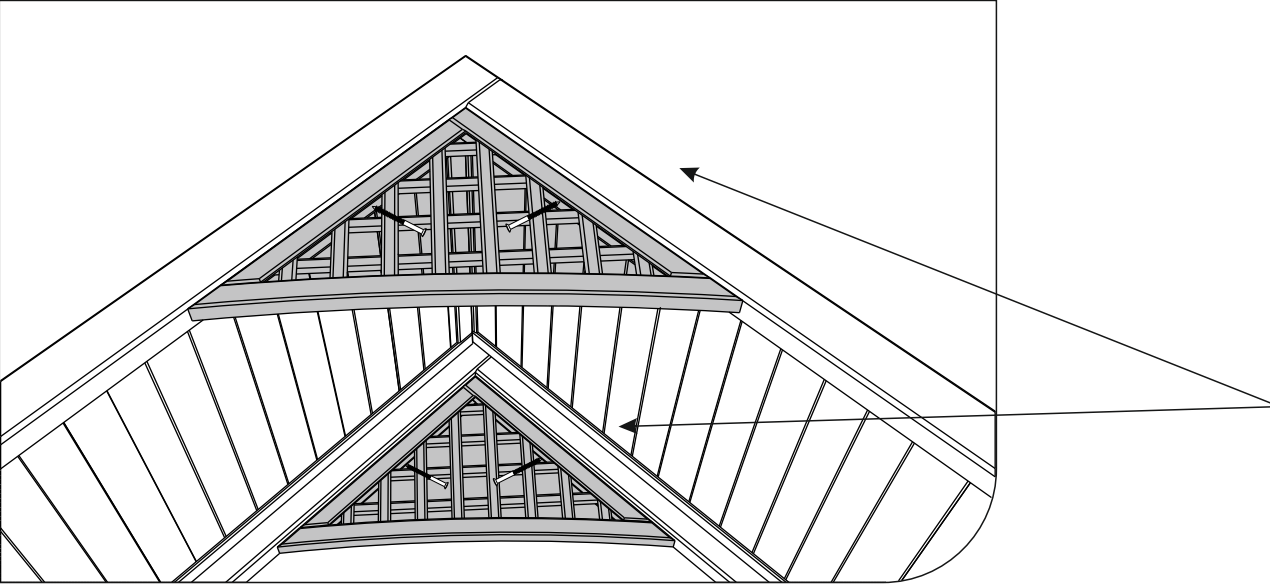




[X]
6 cm
x8



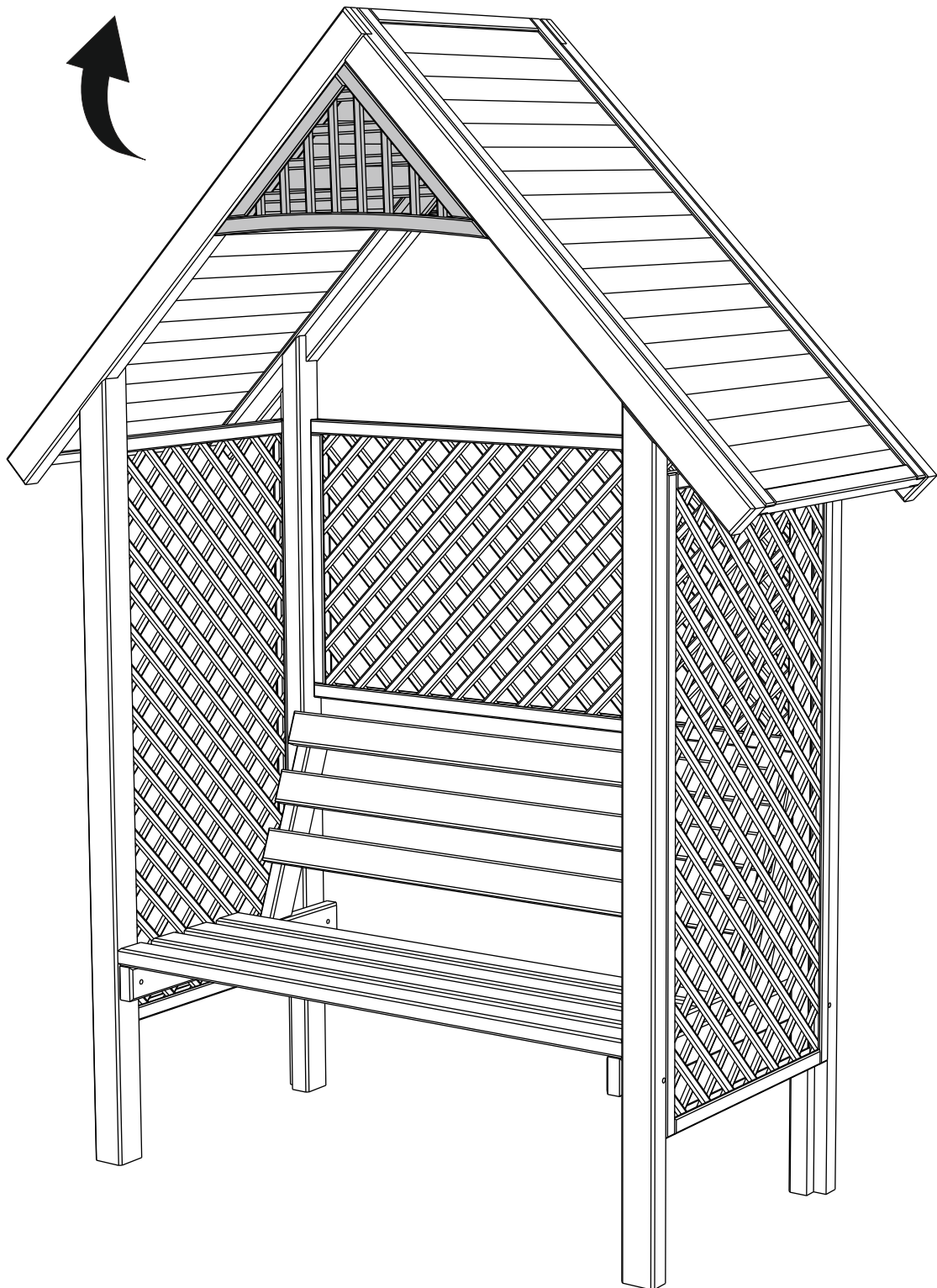


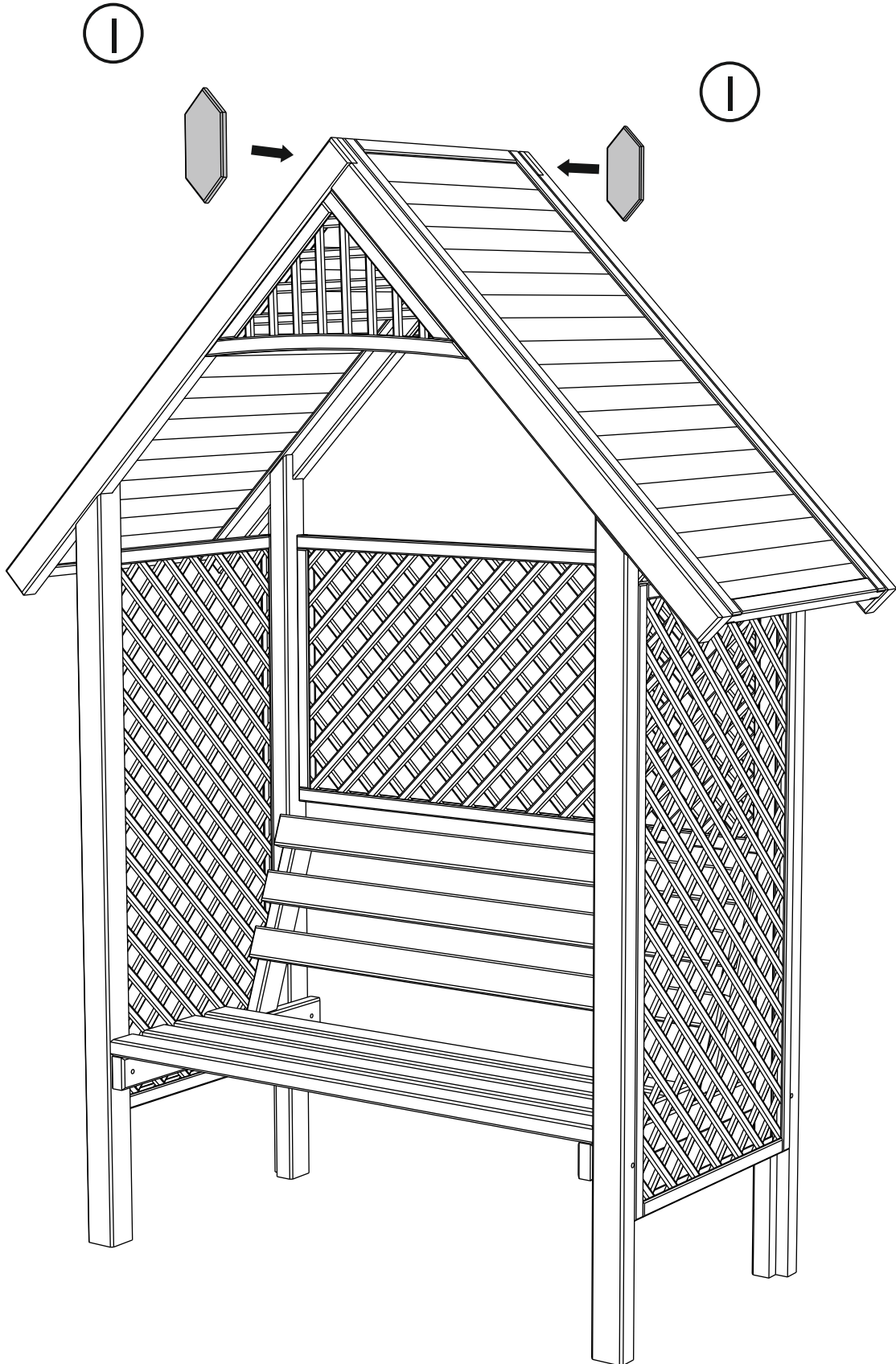
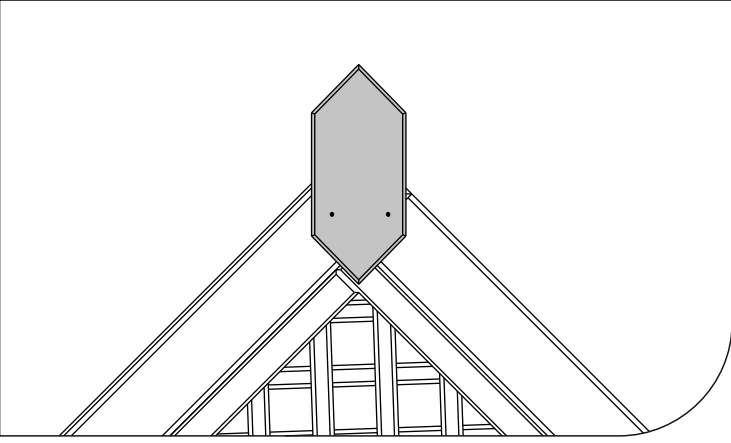


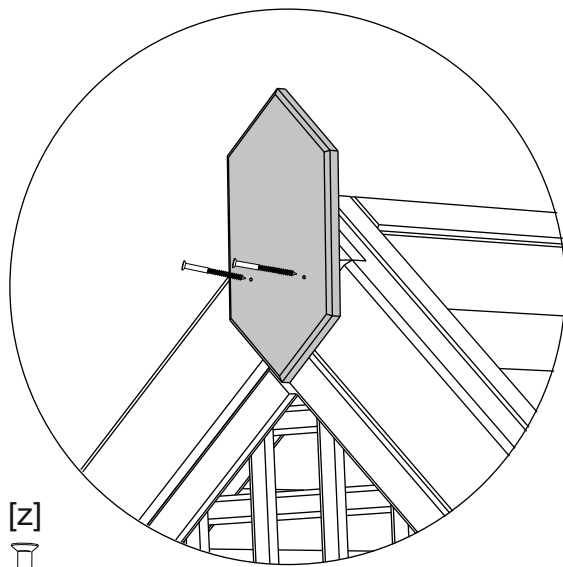
[y]



5 cm
x4

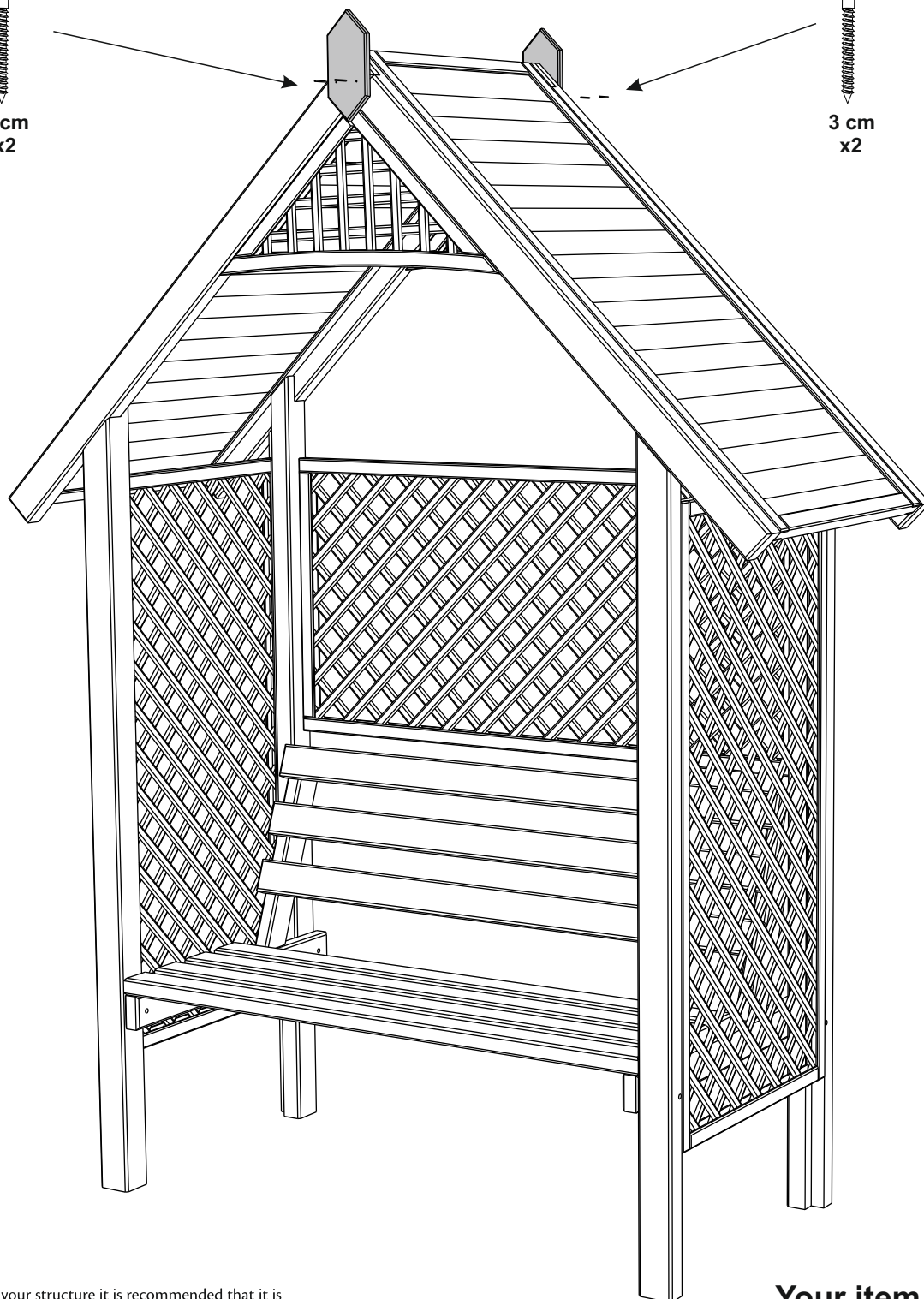






[Z]
3 cm
x2

[Z]
3 cm
x2



AFTERCARE

To ensure longevity of your structure it is recommended that it is treated with a wood preservative on a yearly basis.

Your item is ready!