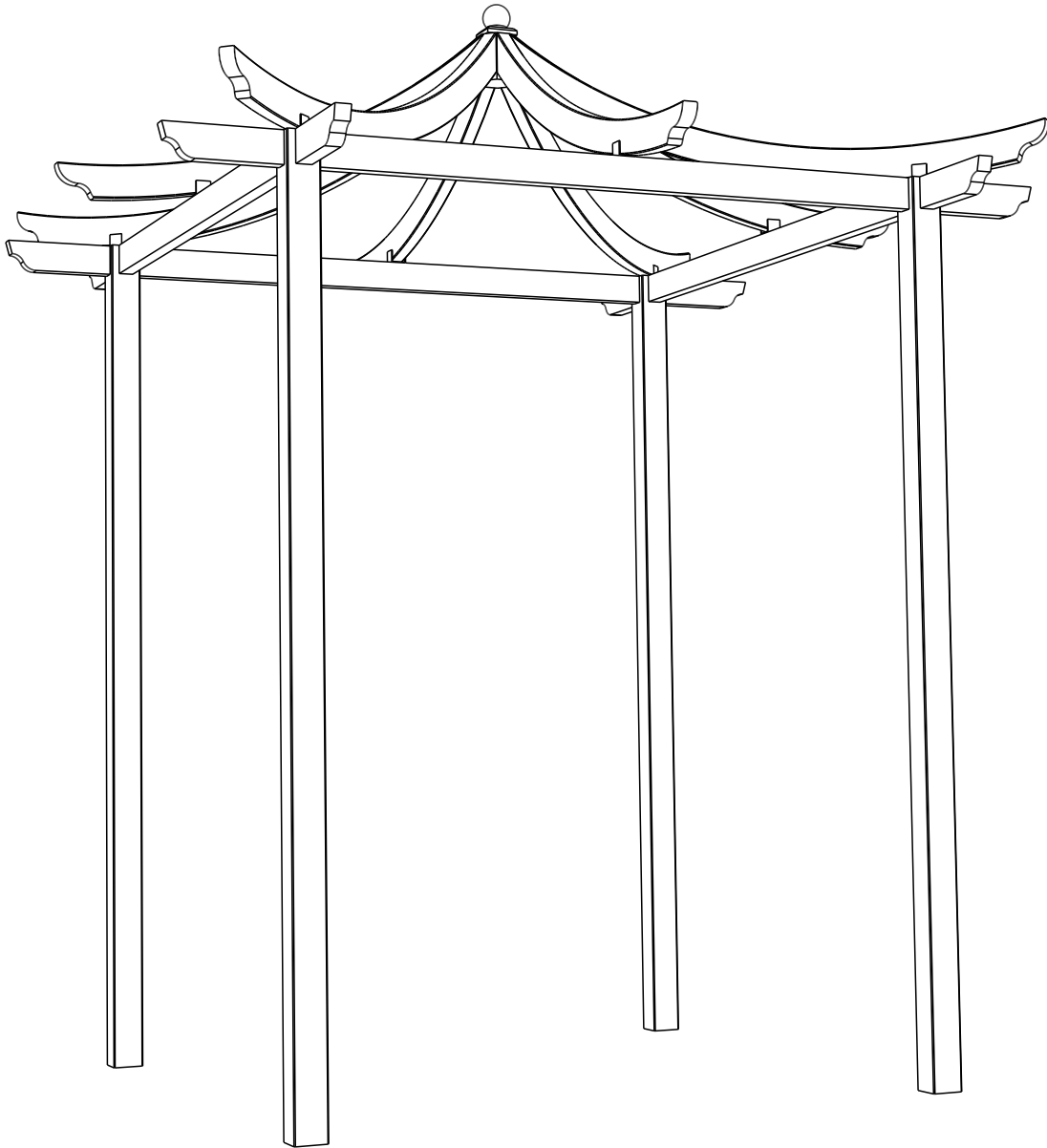


DRAGON PERGOLA

PKITDRGNA 338cm [H] x 270cm [W] x 270cm [D]
221000A001OMBZ01A1



BEFORE YOU START

Check the pack/s and make sure that you have all of the parts listed below.

If not, contact your retailer who will be able to help you.

When you are ready to start make sure you have the right tools to hand, plenty of space with a clean and dry area for assembly.

It is advisable for two people to carry out the work.

Where the wood is screwed we advise to pre-drill the holes (the diameter of the holes should be 2mm smaller than the diameter of the used screw)

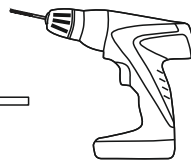
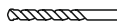
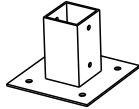
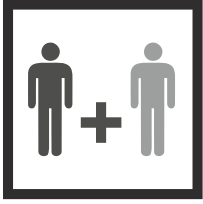
HEALTH AND SAFETY

Do not lean or stand on the roof assembly at any time - the structure is not of a load bearing design.

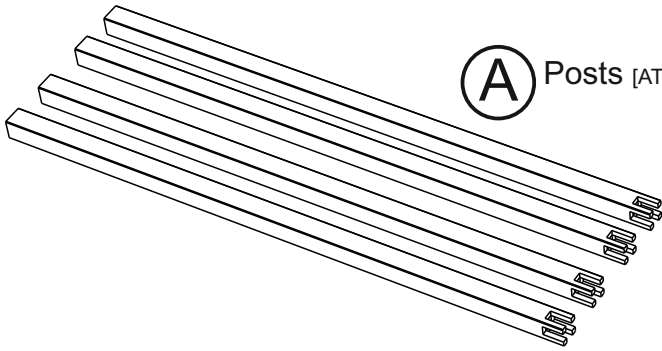
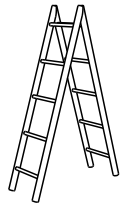
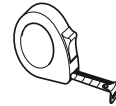
Do not overreach when working from the step ladder

In order to reduce the risk of suffocation please keep all plastic bags and small parts away from children.

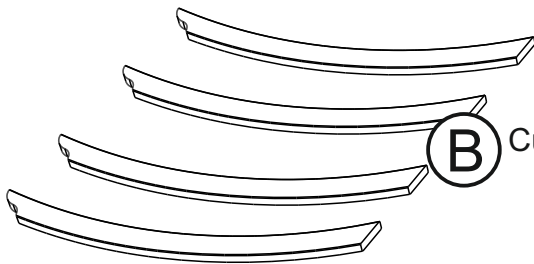
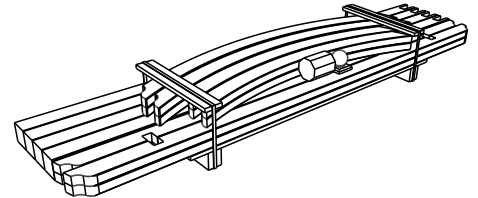
Recommended tools (not included)



drill or screwdriver



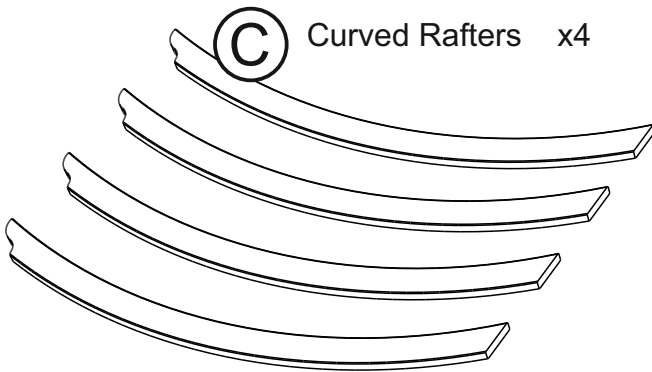
A Posts [ATPOST9] x4



B Curved Rafters x4



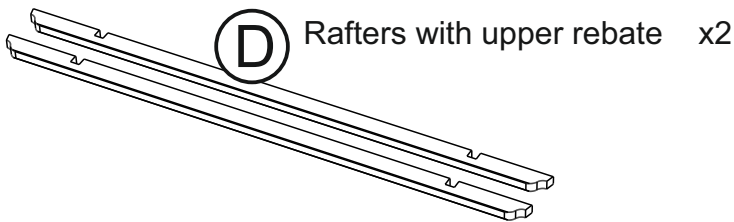
F Ball Cap x1



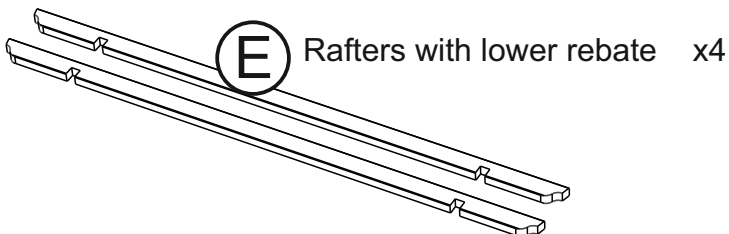
C Curved Rafters x4



G Centre Block x1



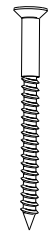
D Rafters with upper rebate x2



E Rafters with lower rebate x4

Hardware pack

[x]



Screw

4 cm
x32

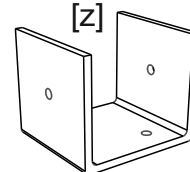
[y]



Screw

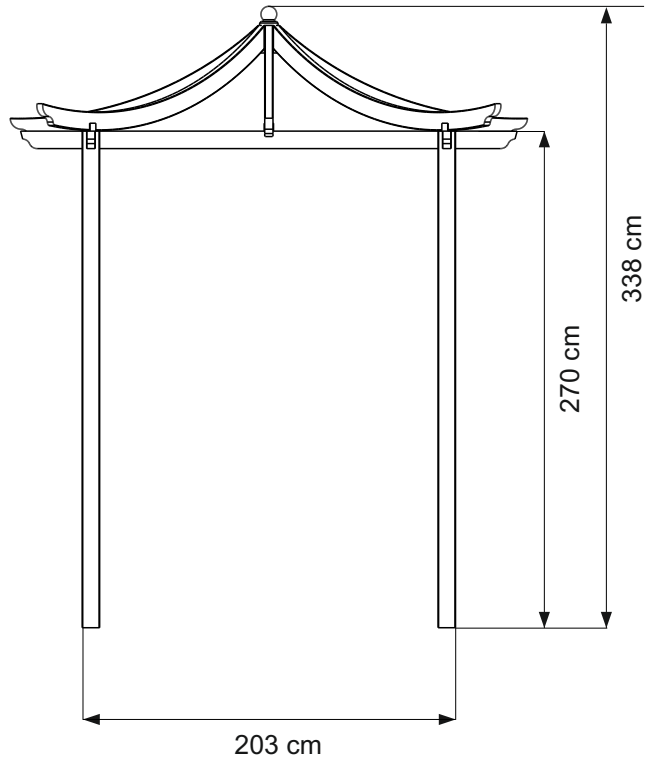
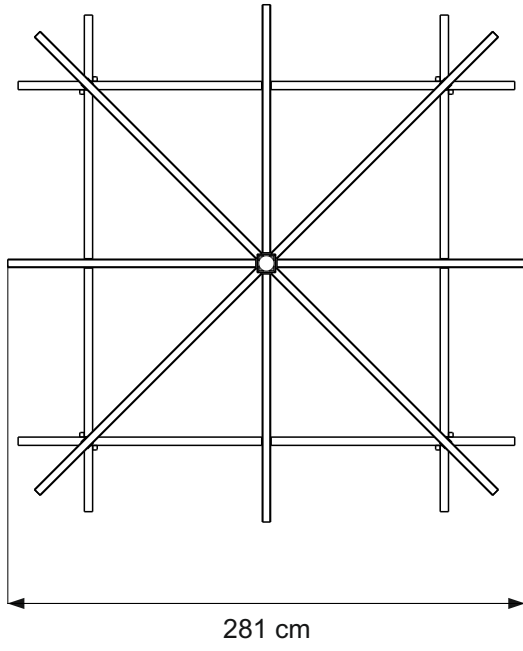
8 cm
x16

[z]

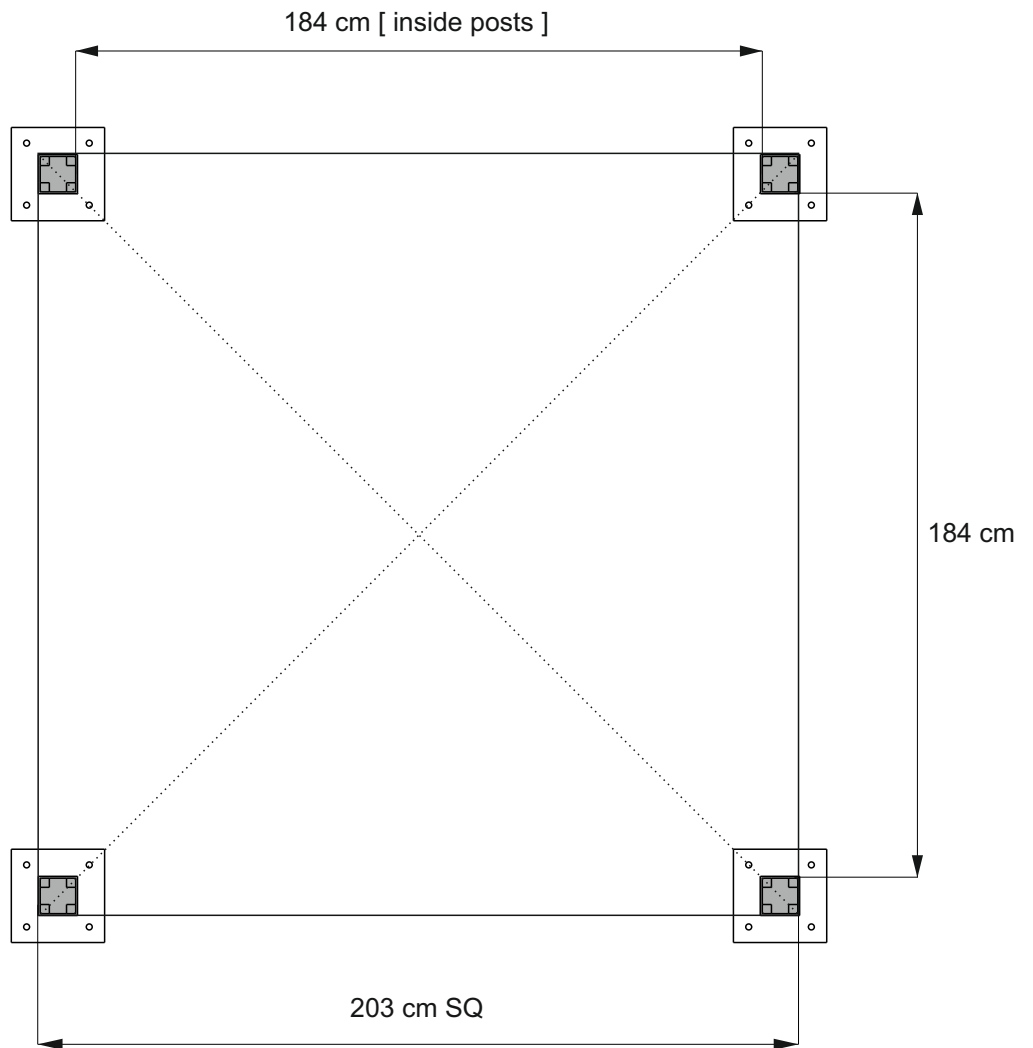


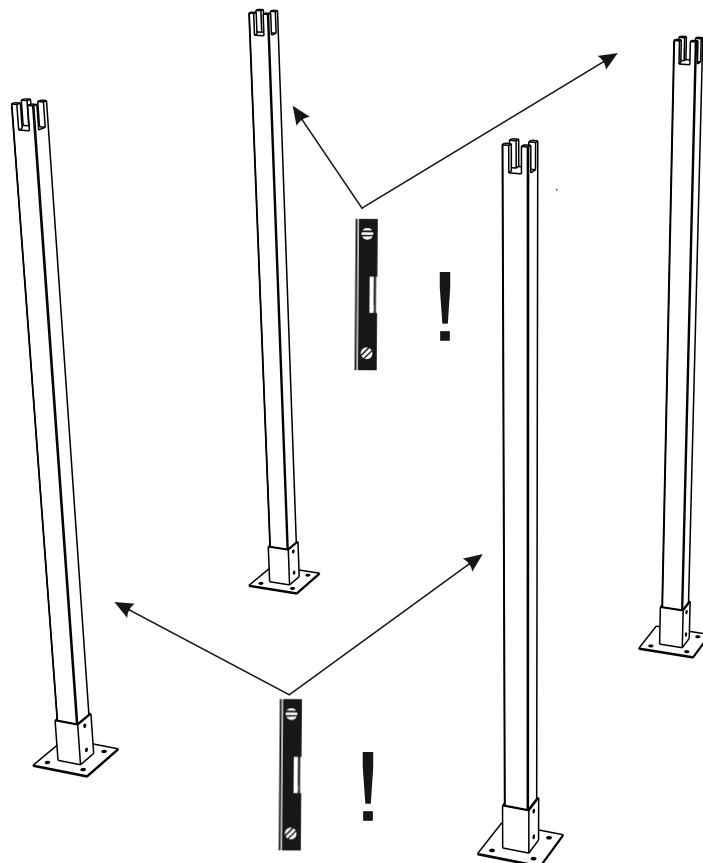
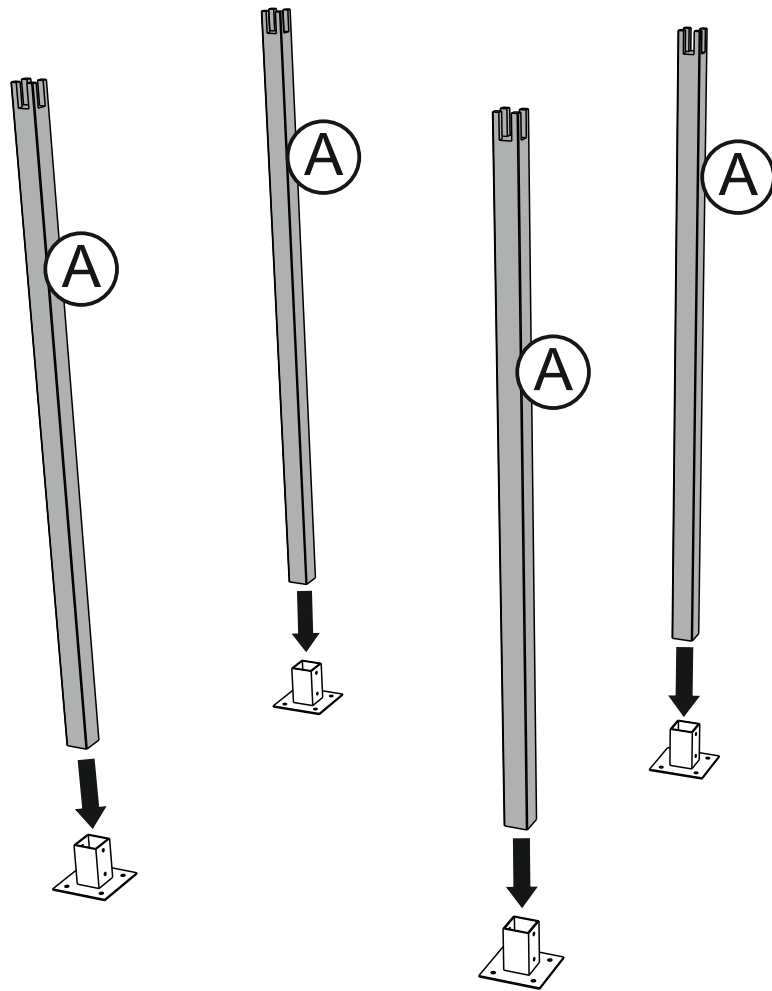
Metal Brackets
x8

PLAN

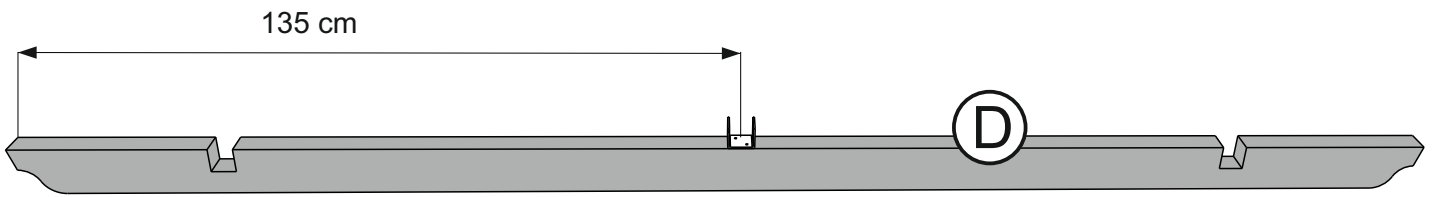
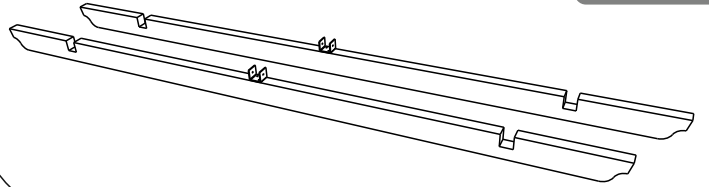
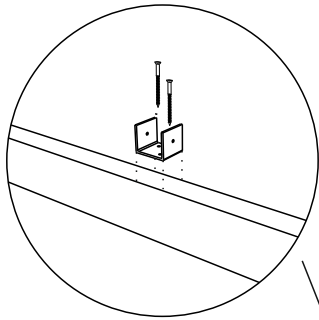
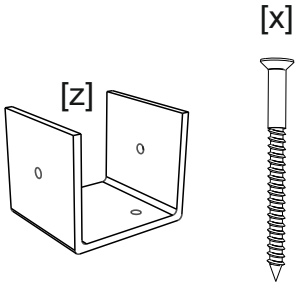


FOOTPRINT

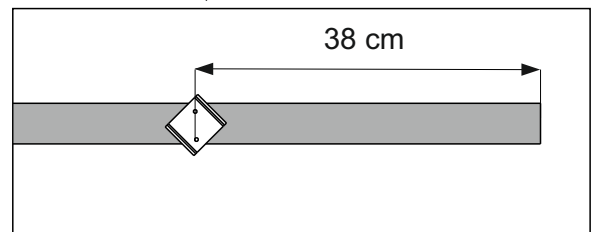
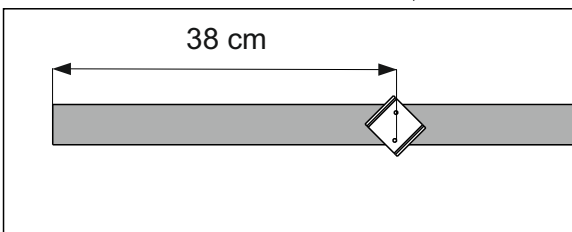
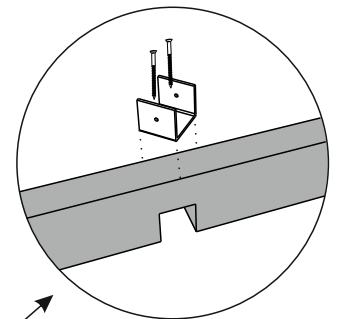
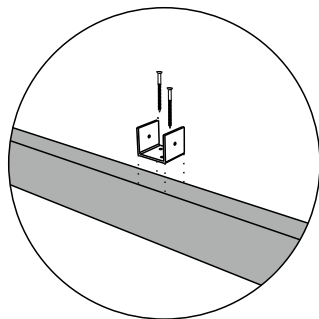
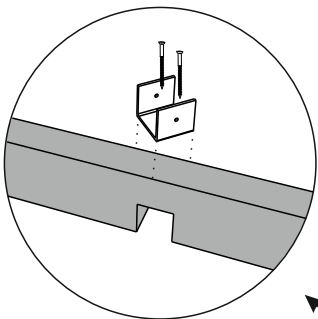
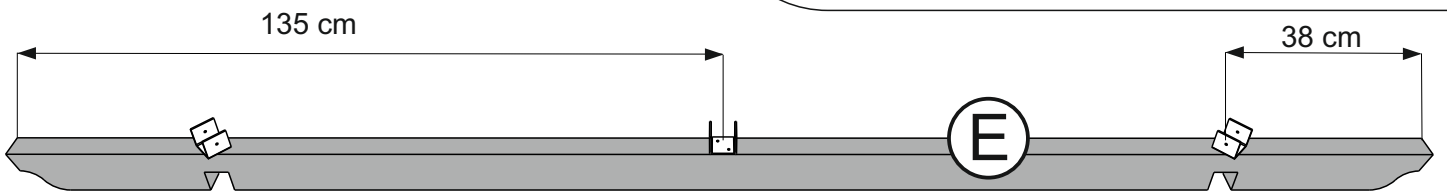
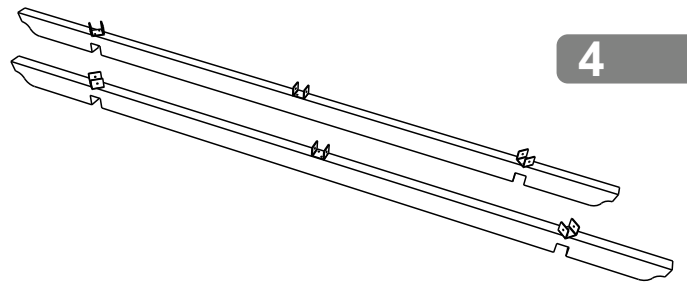
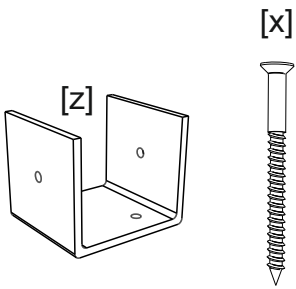


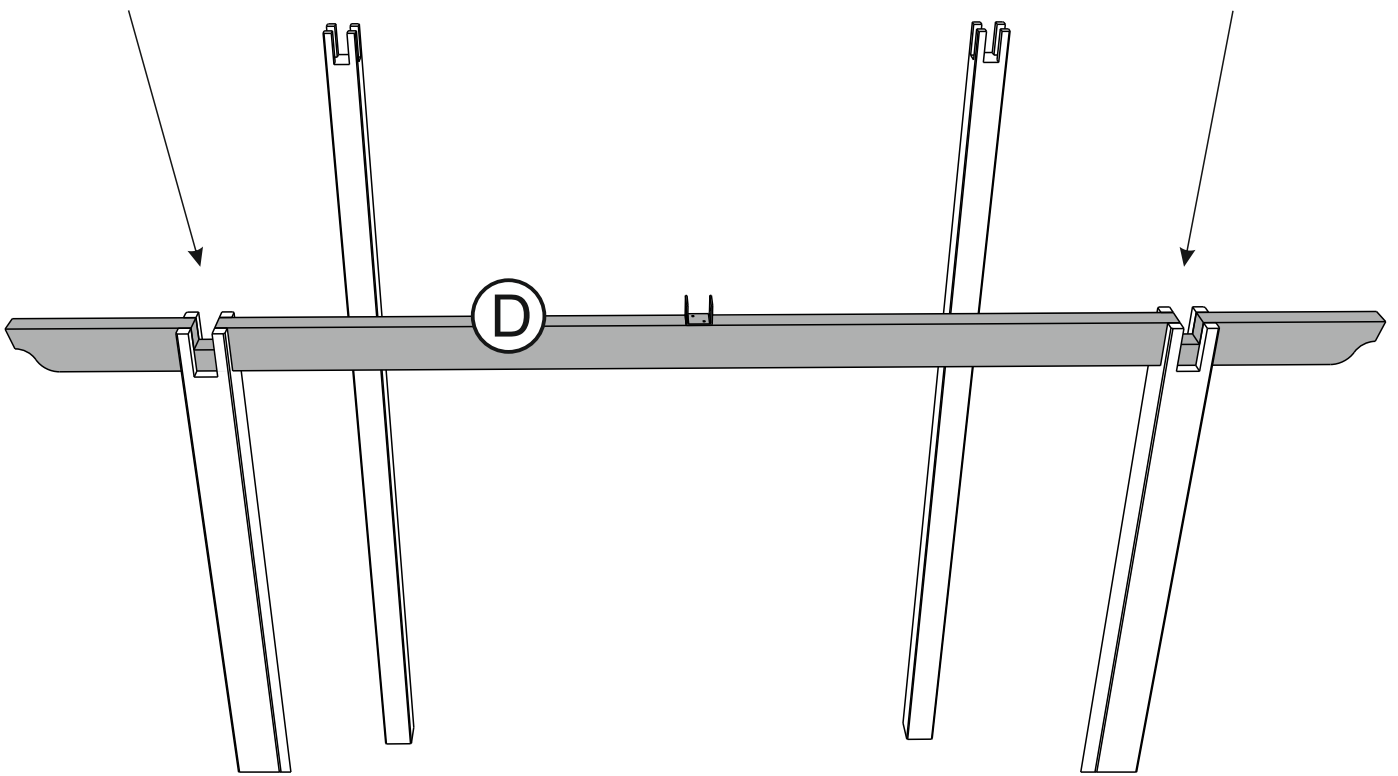
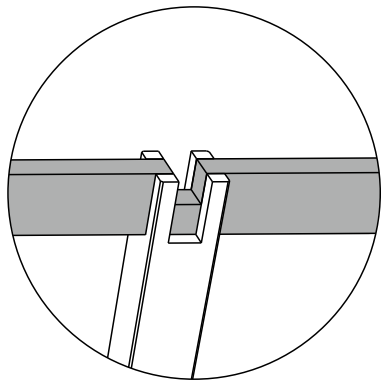
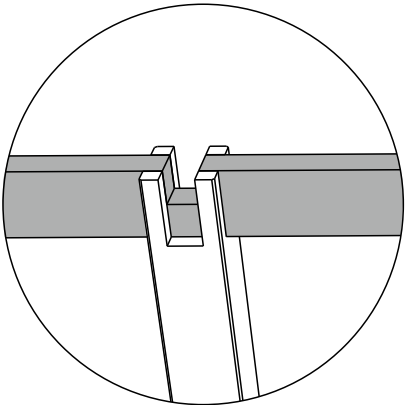
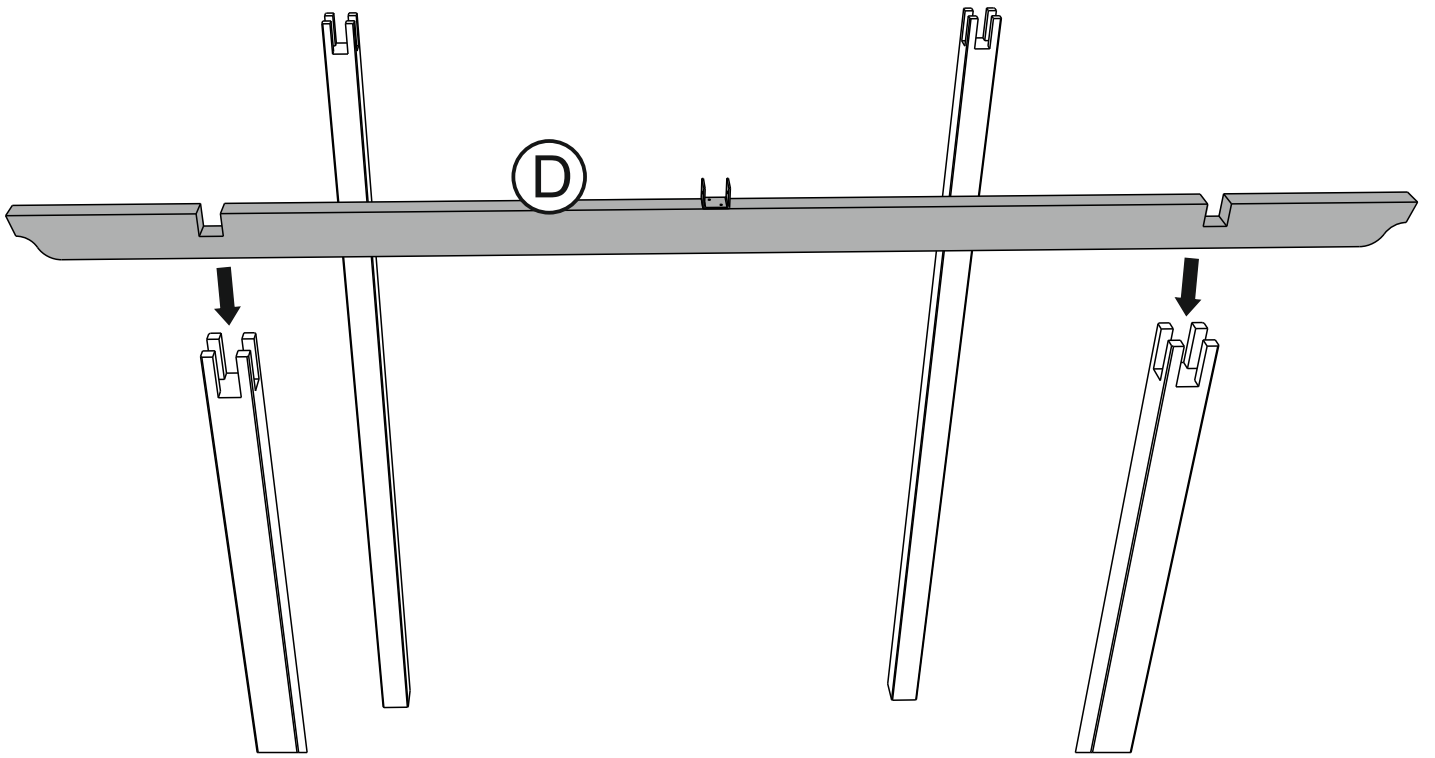


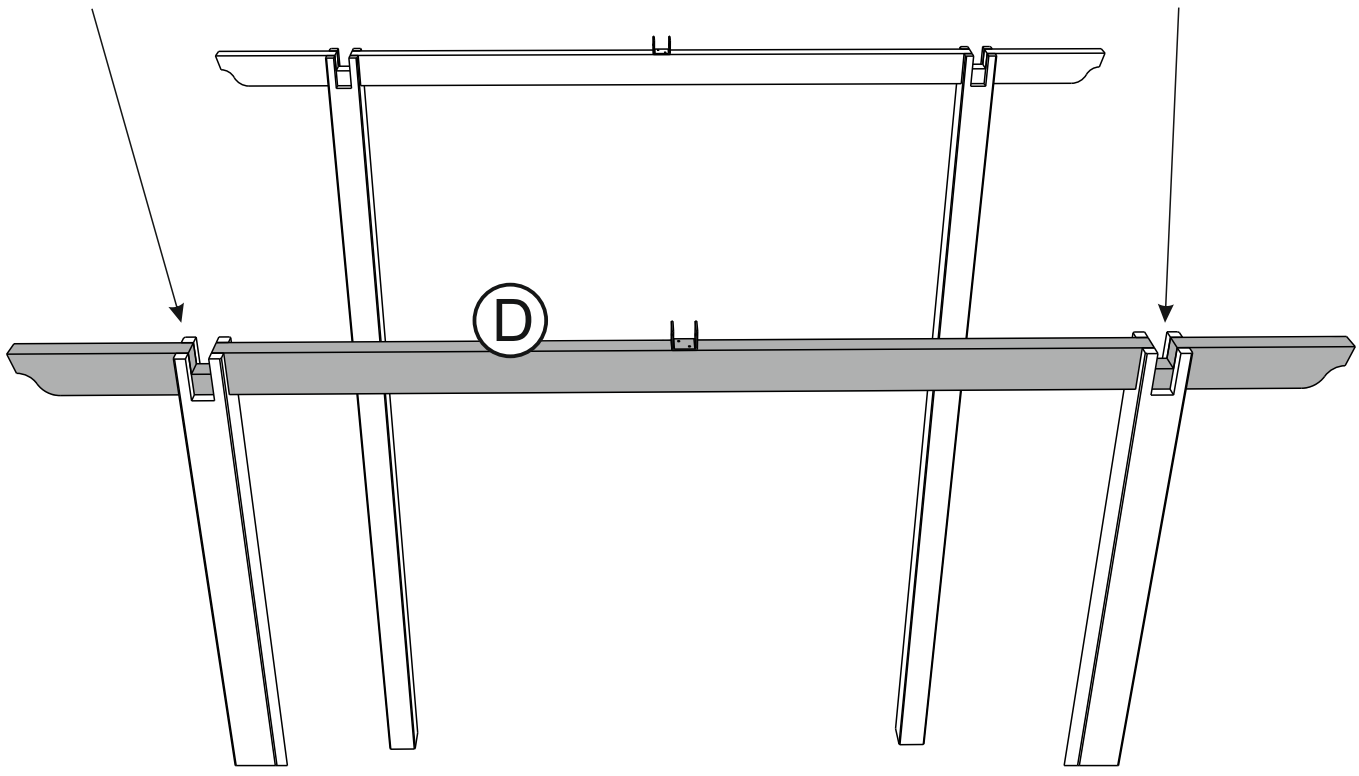
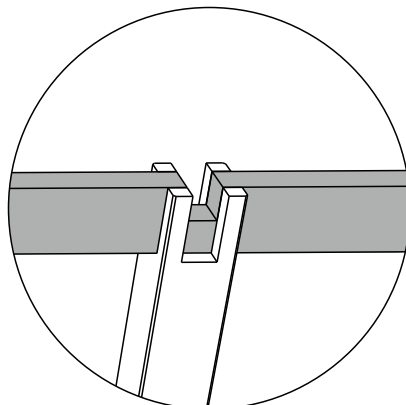
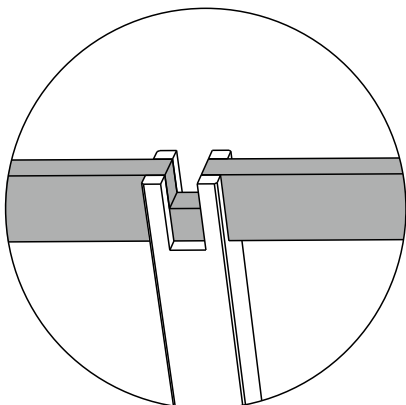
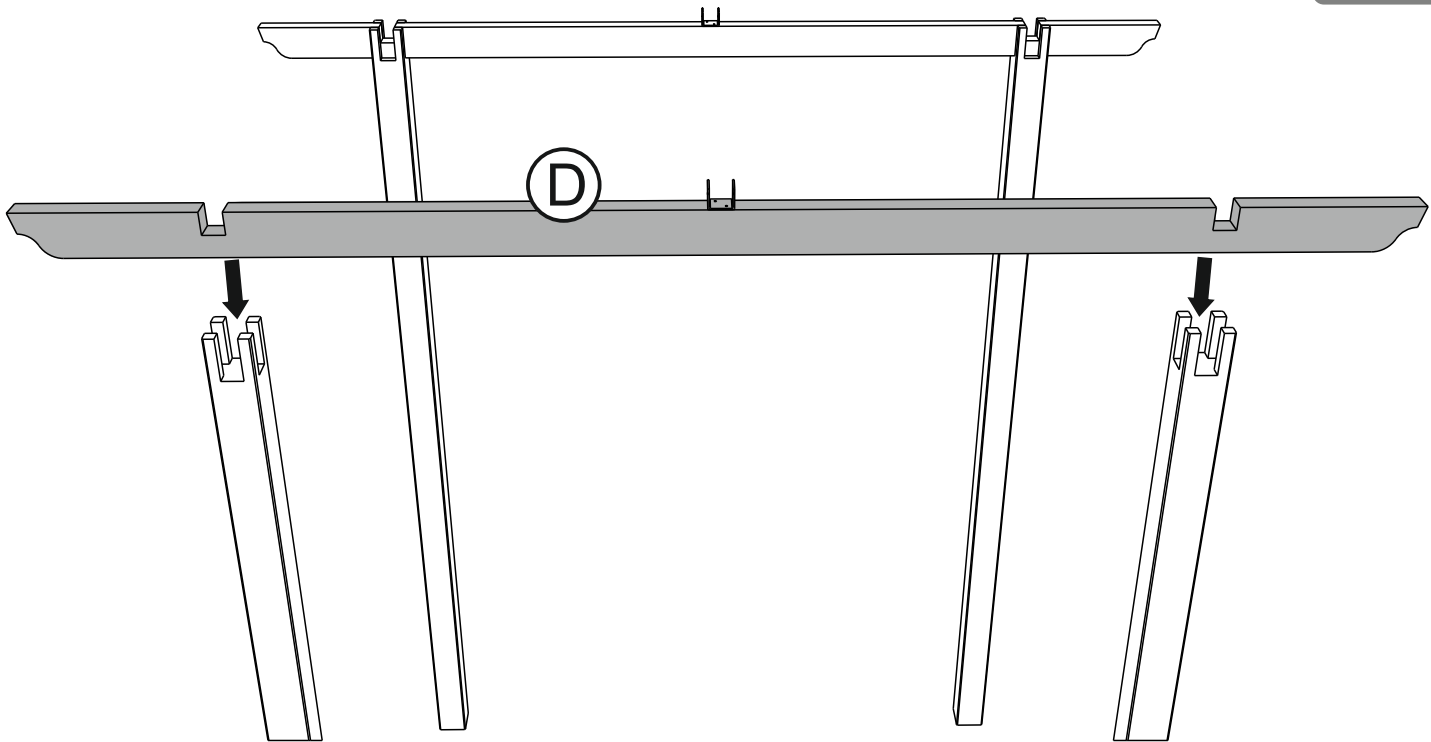
3

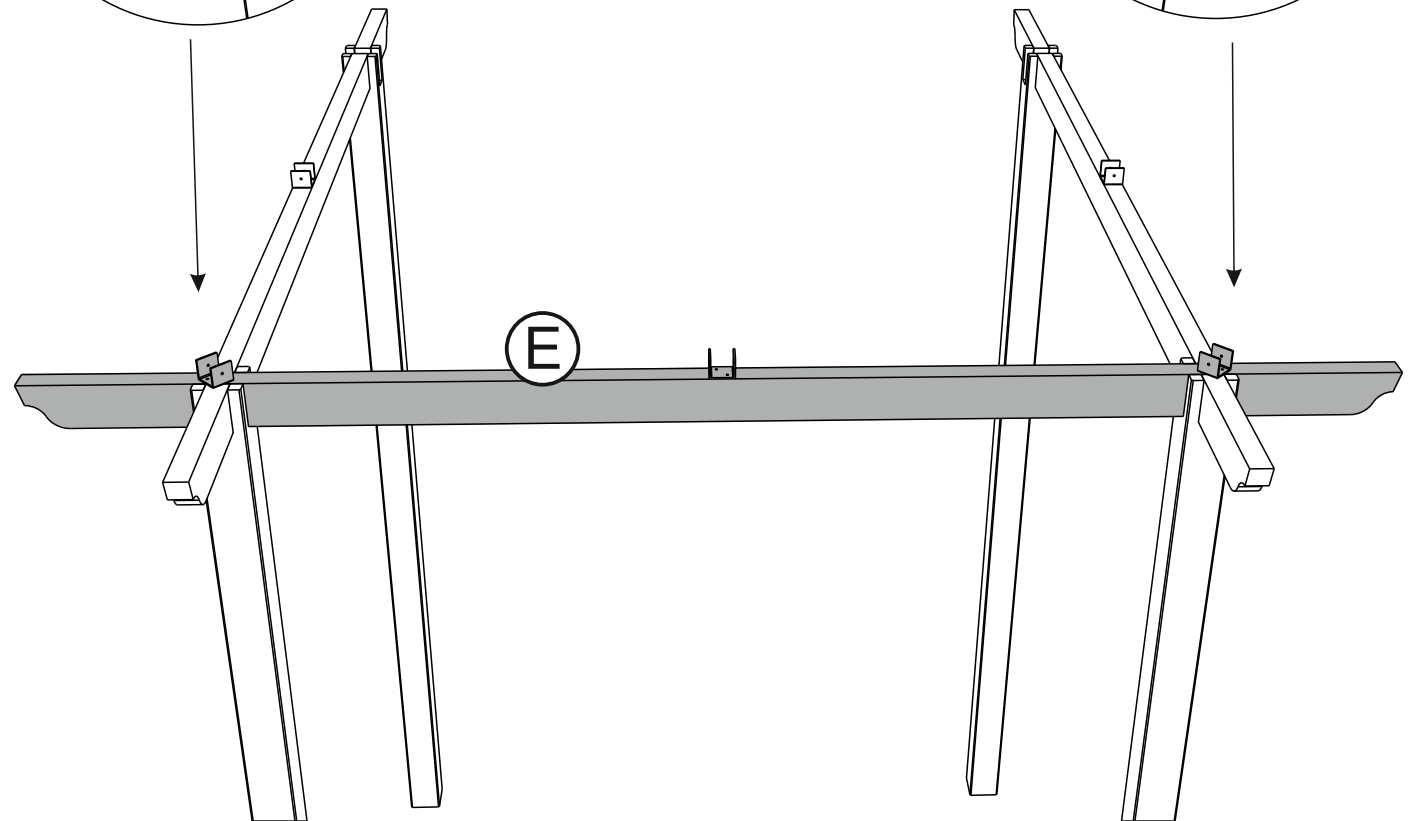
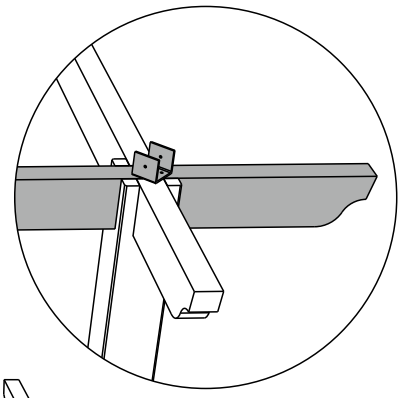
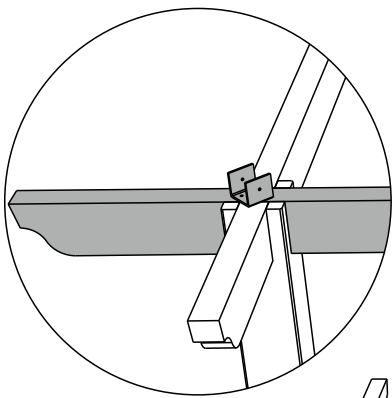
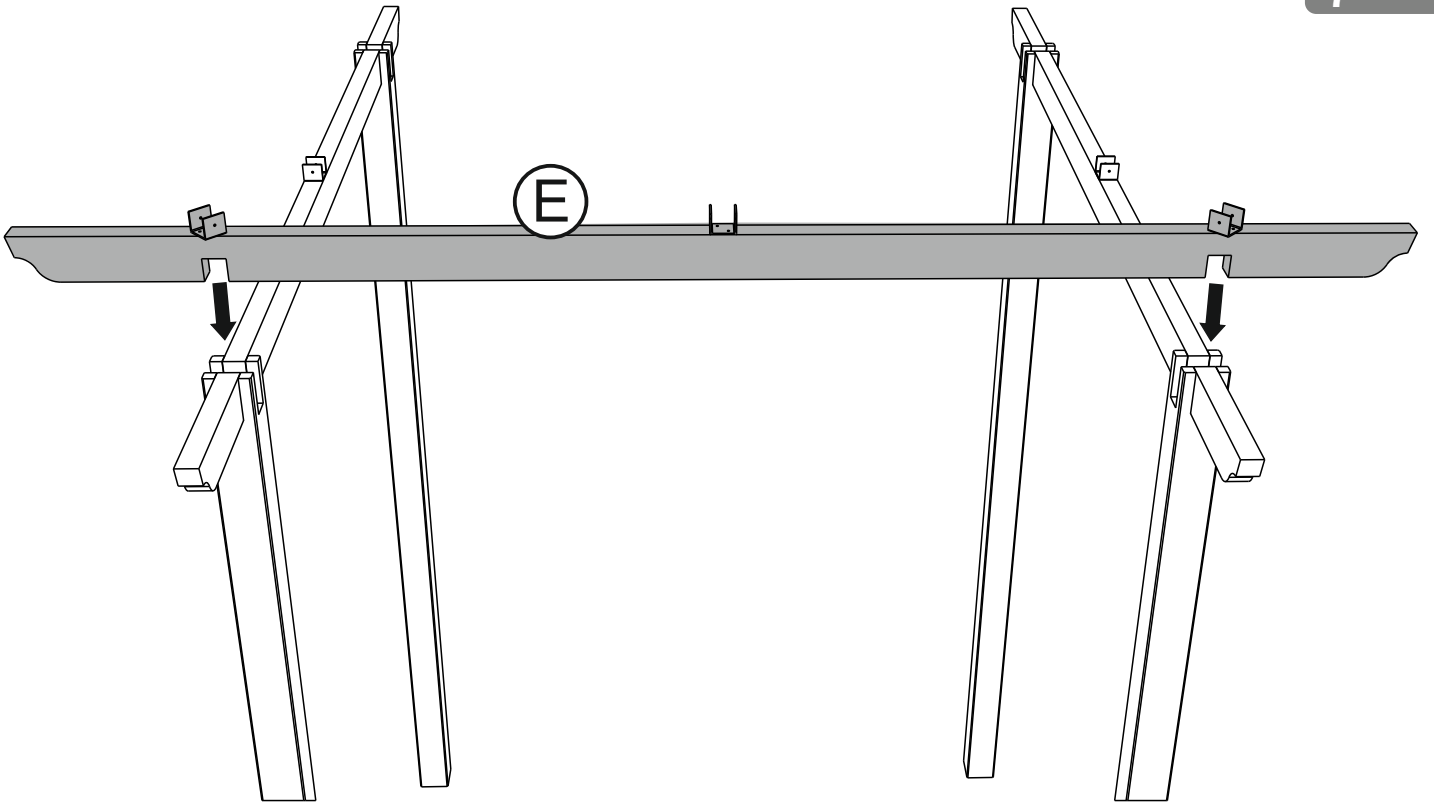


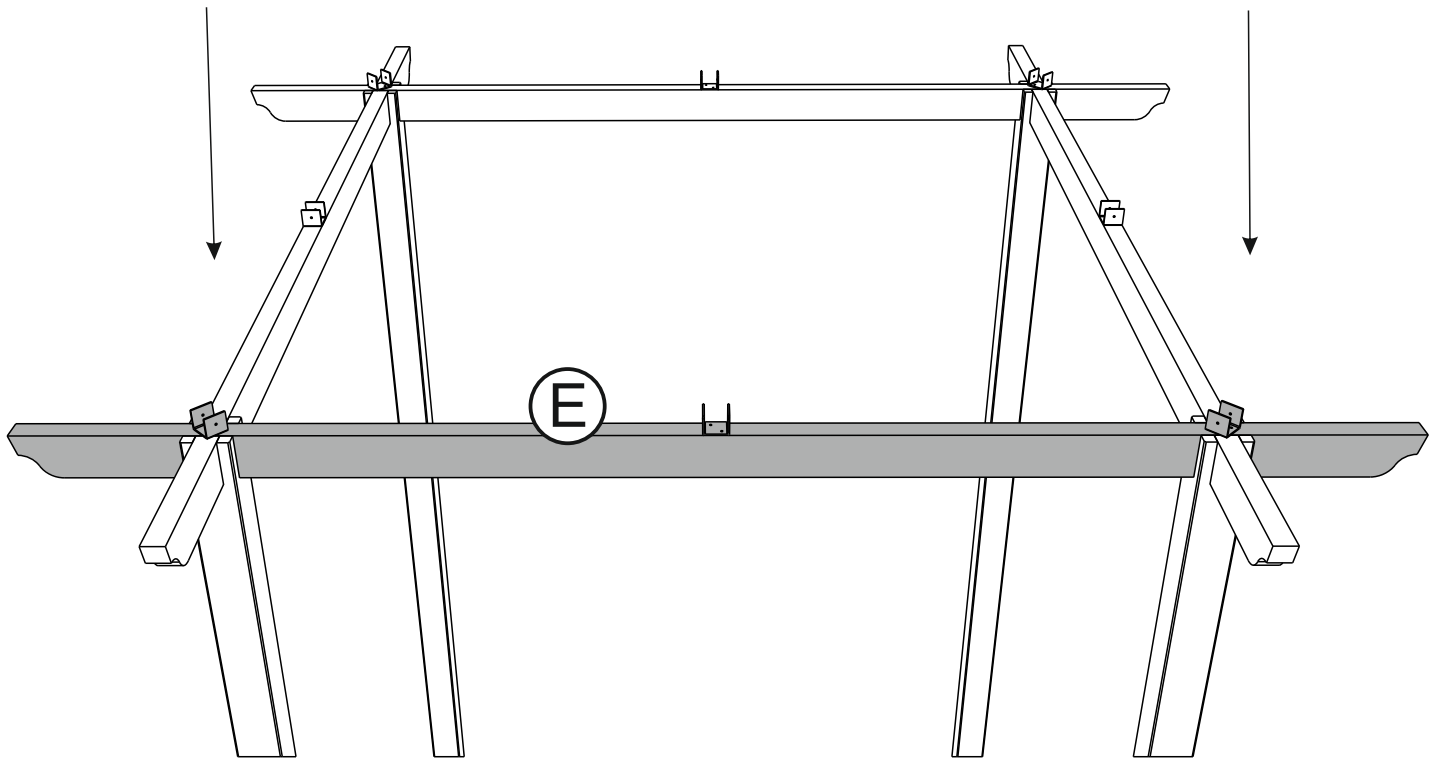
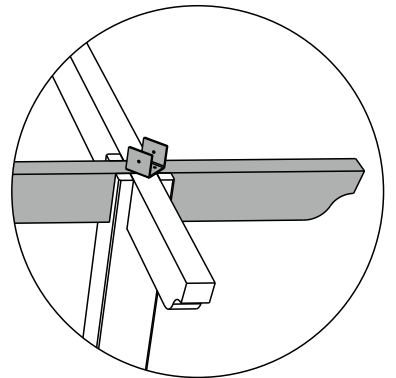
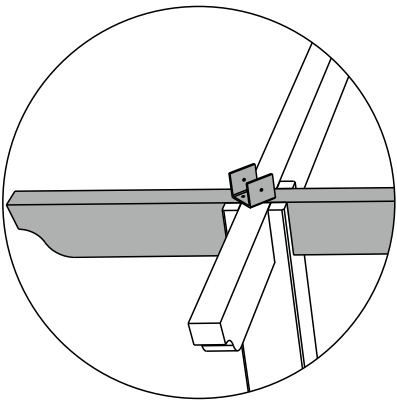
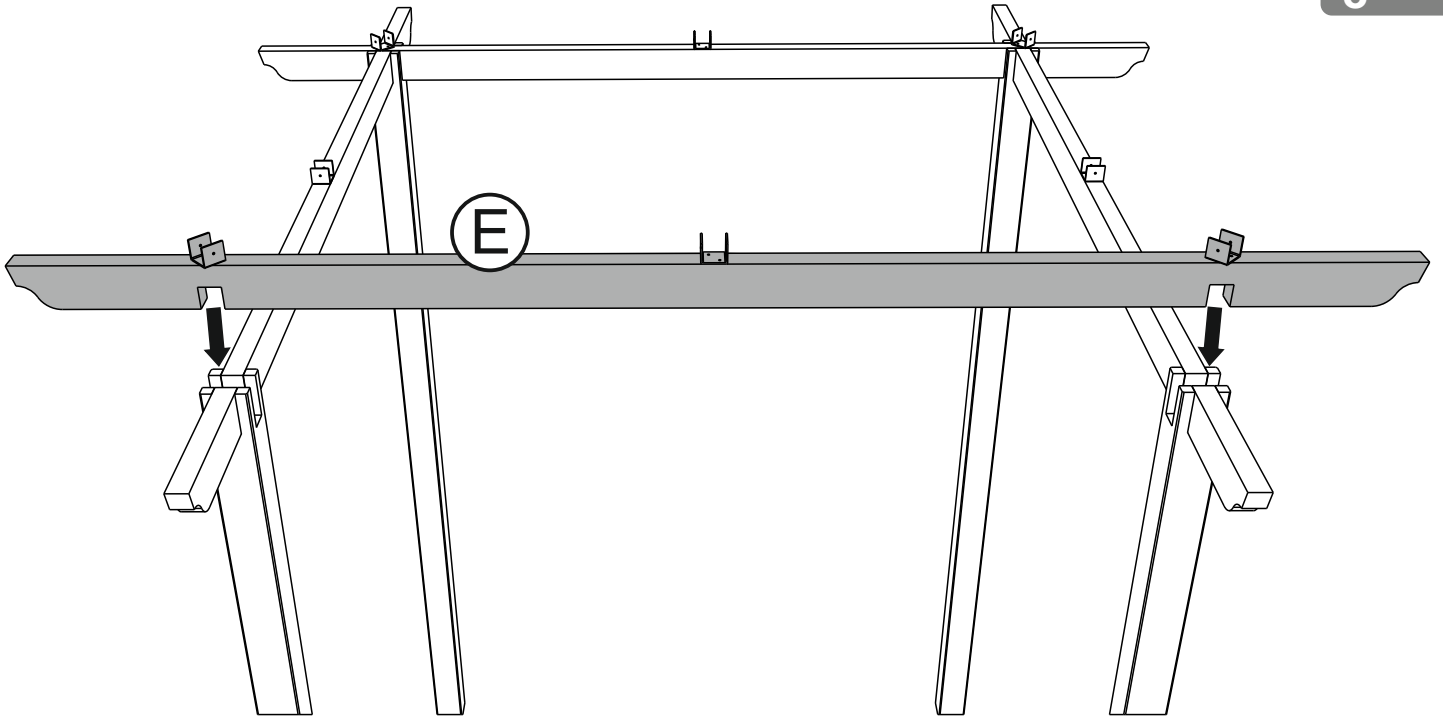
4

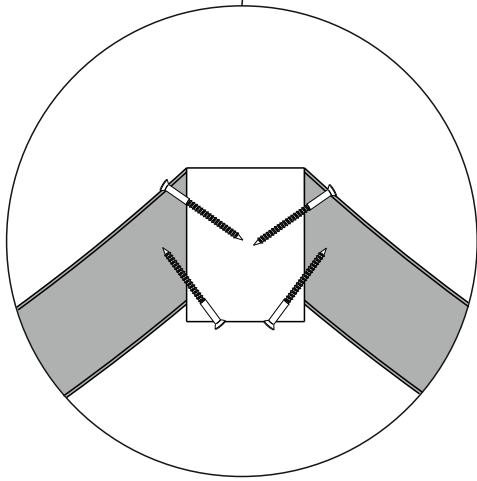
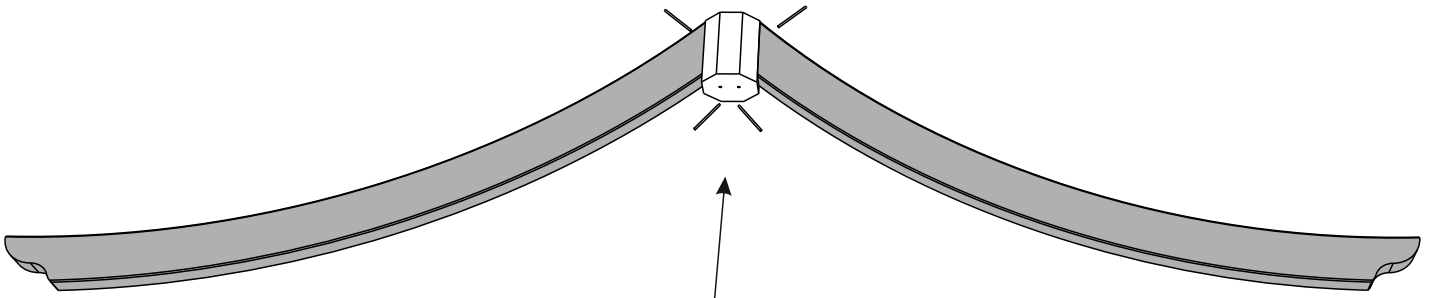
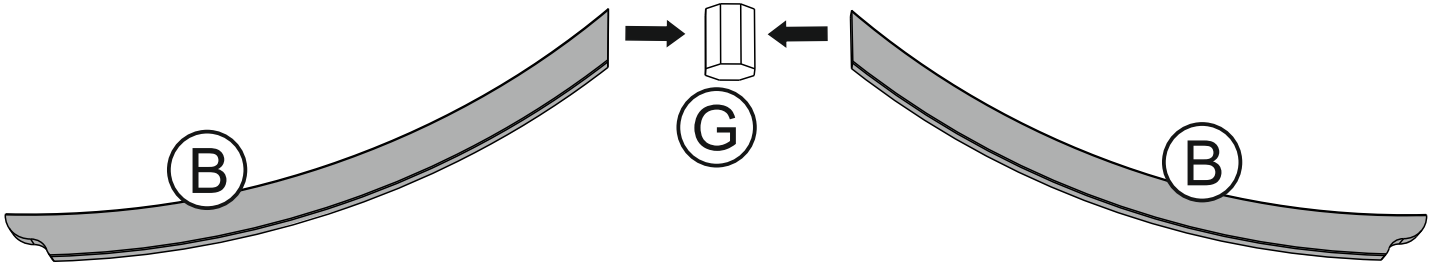


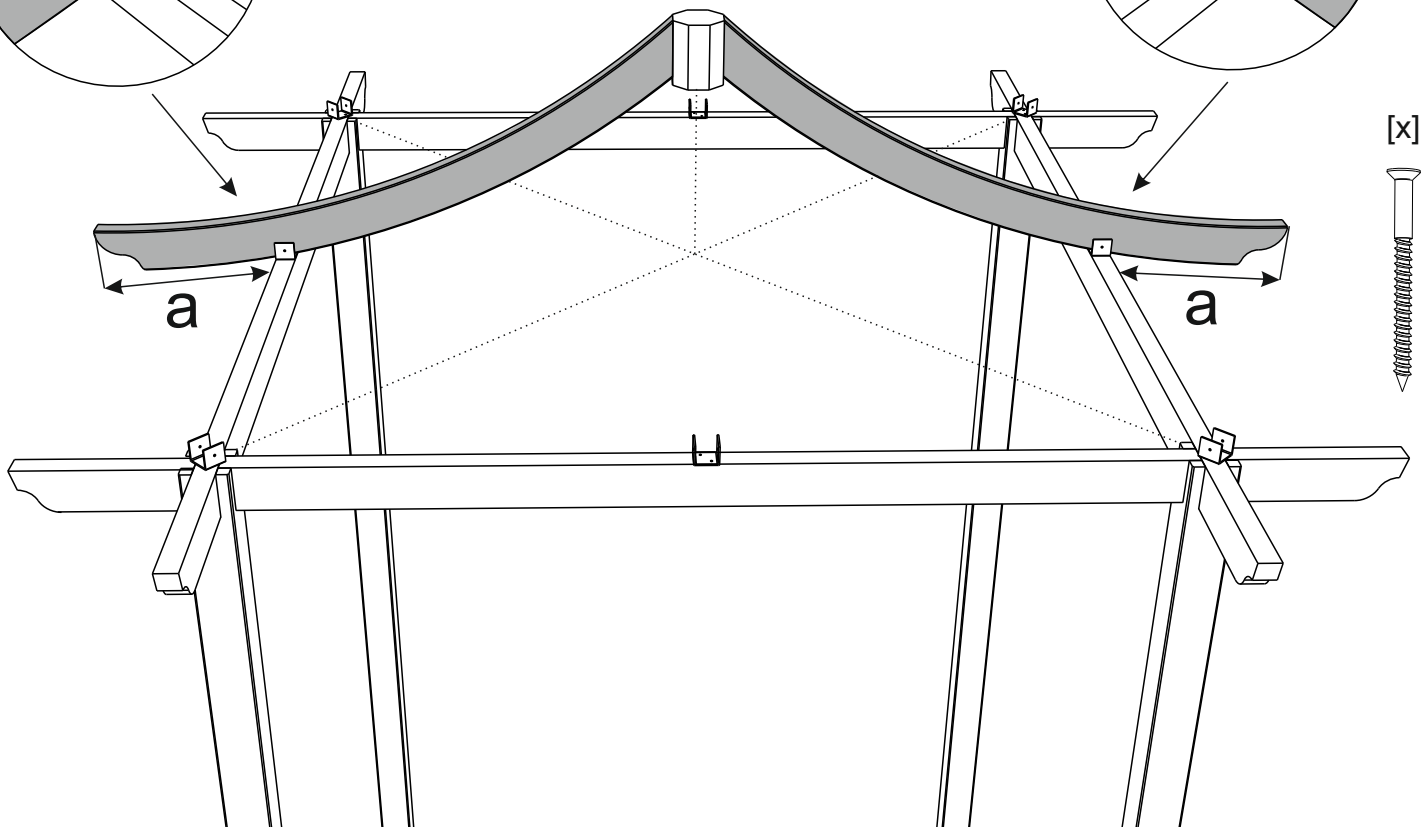
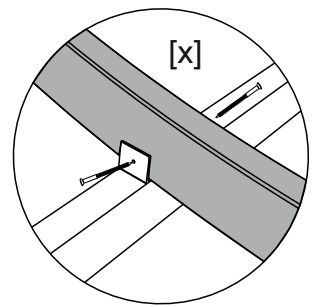
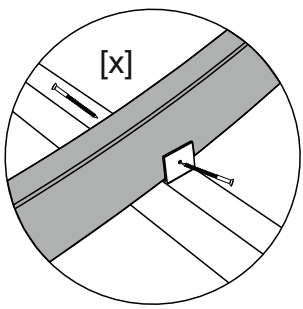
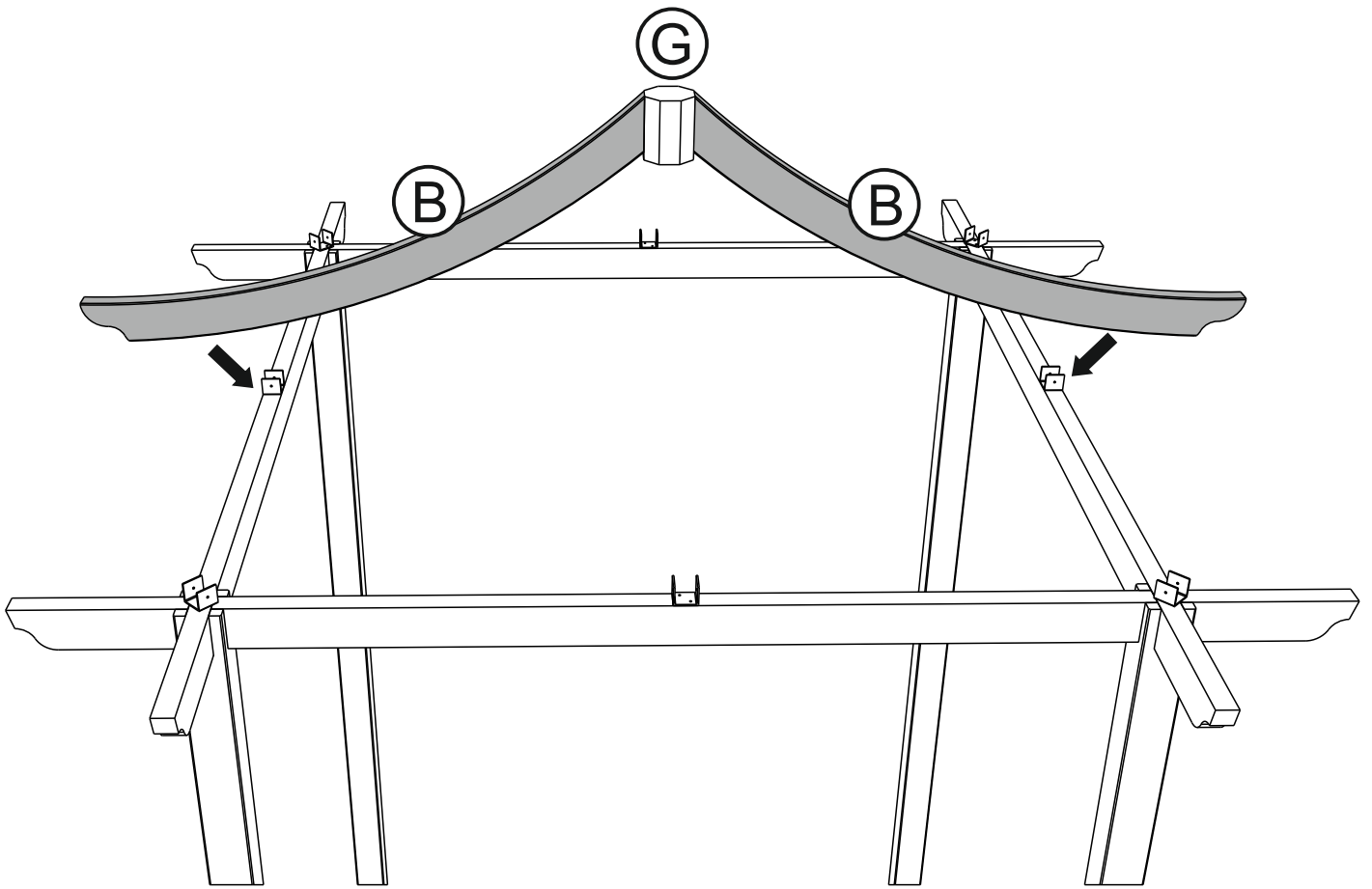


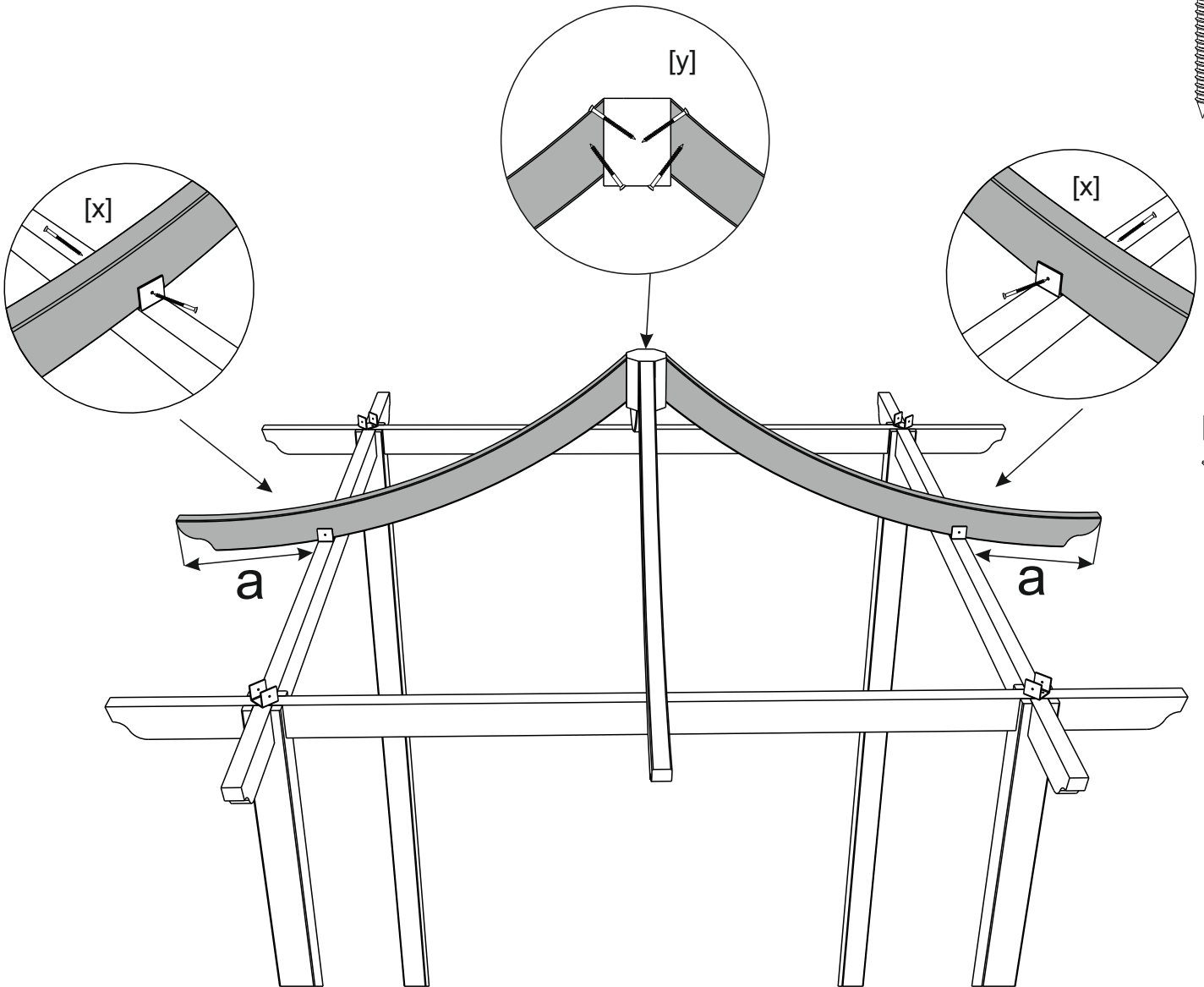
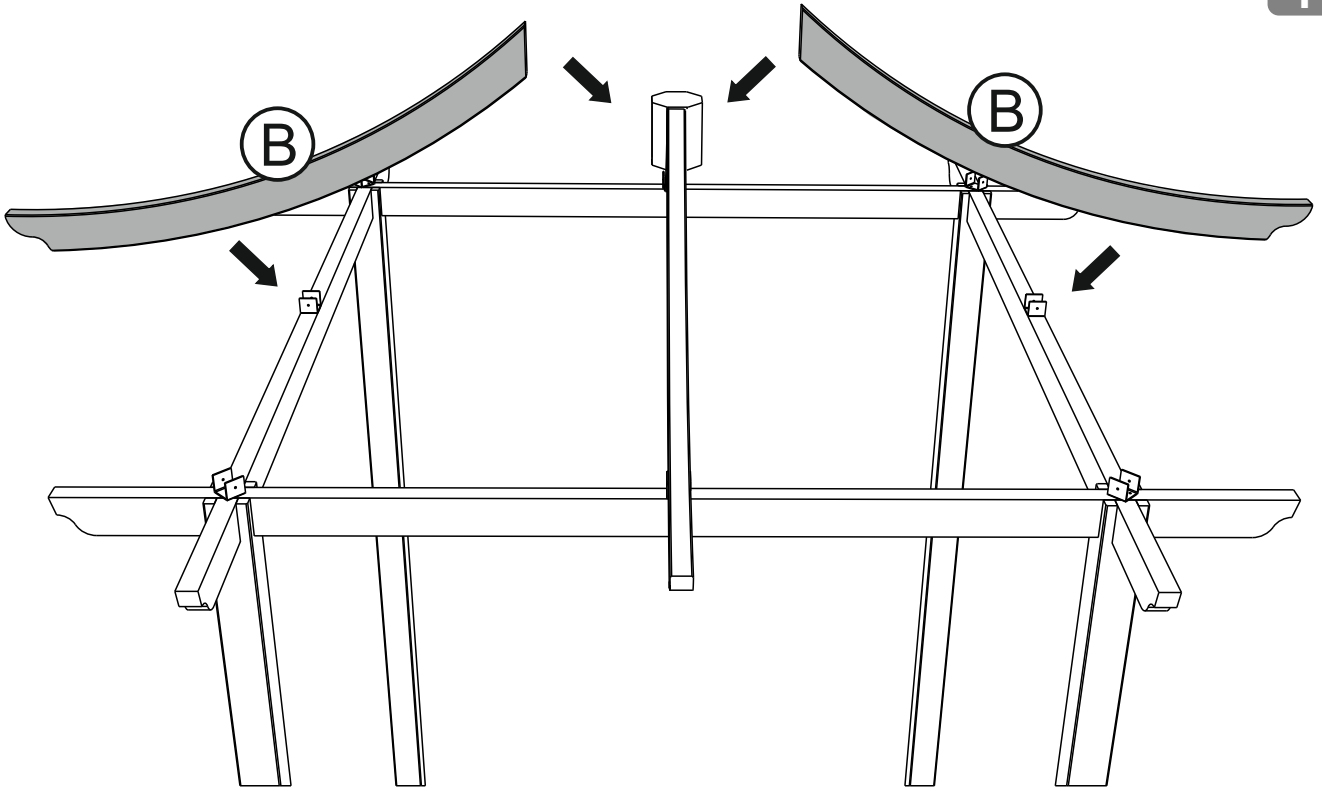


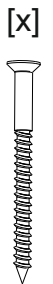
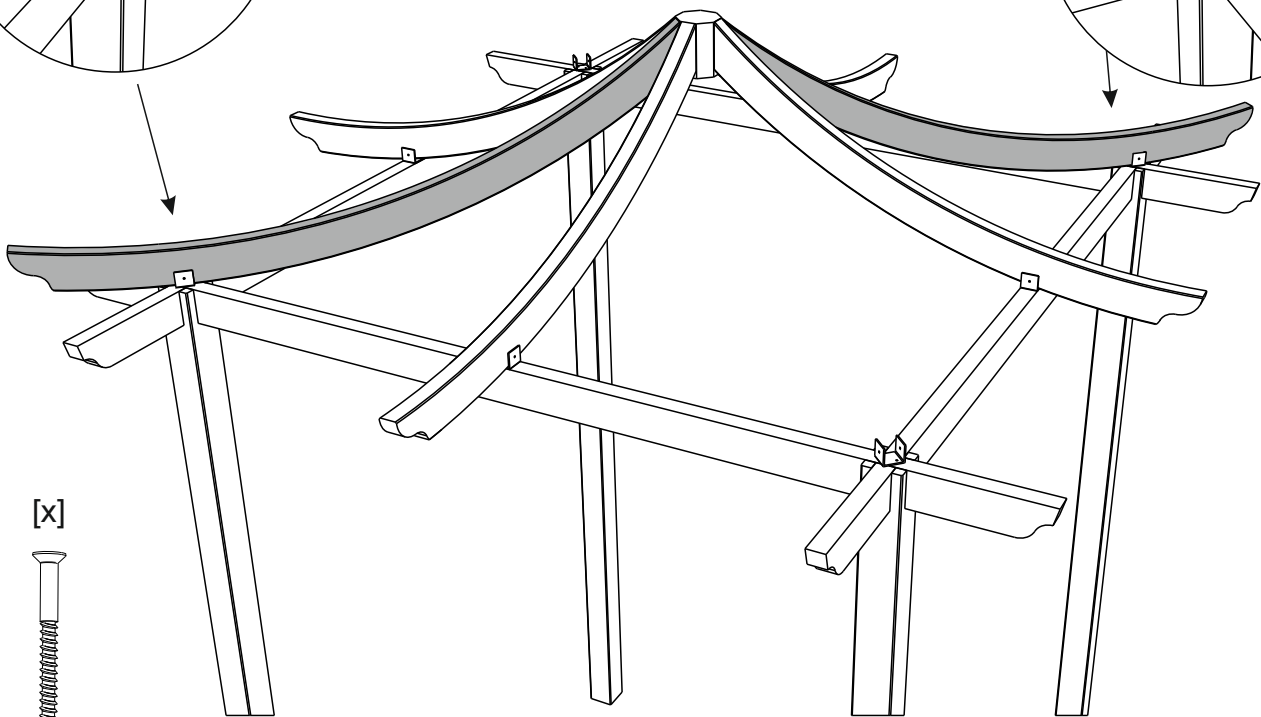
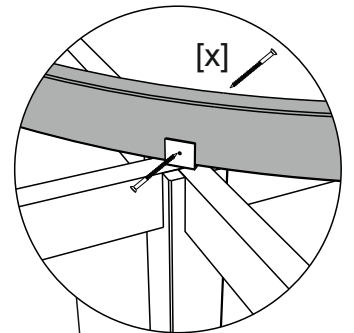
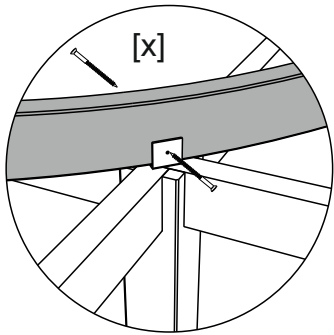
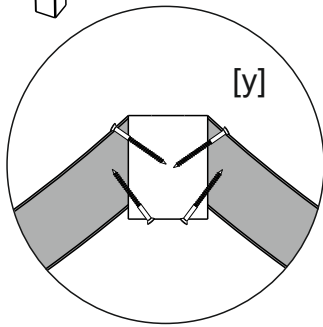
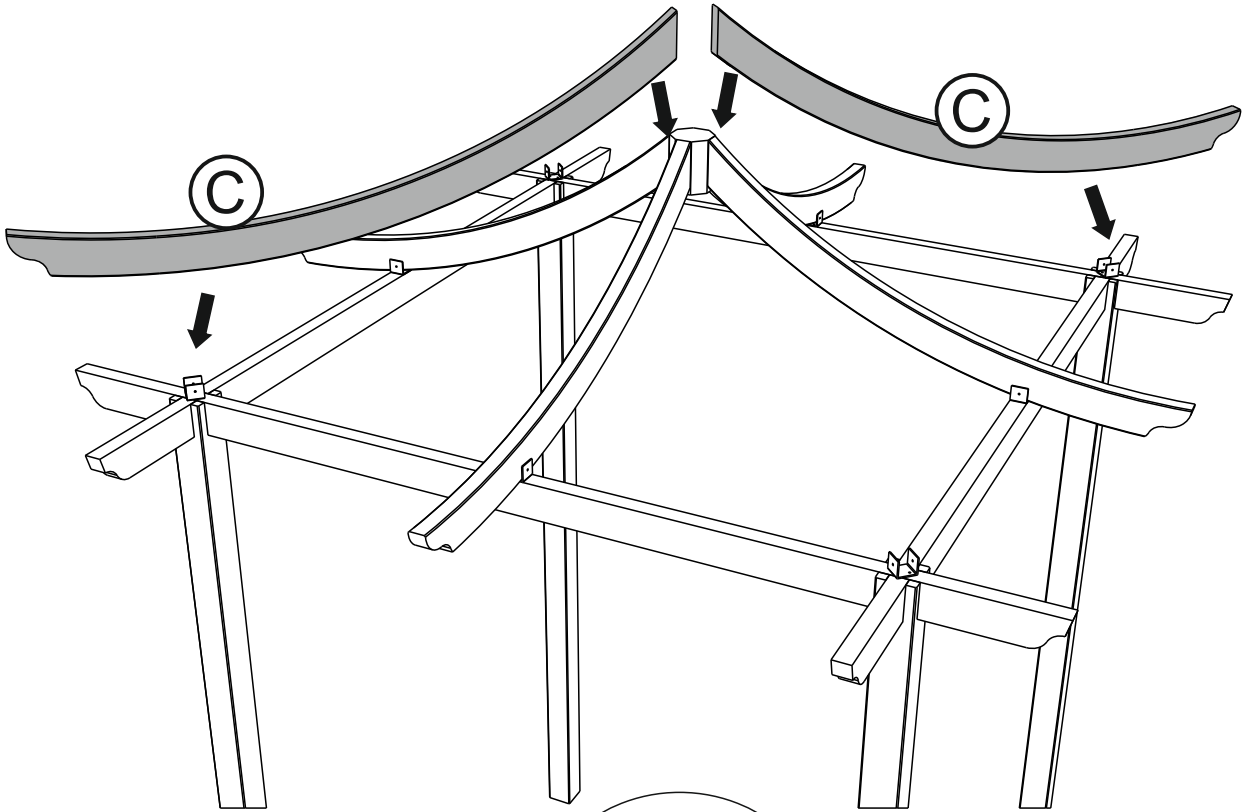


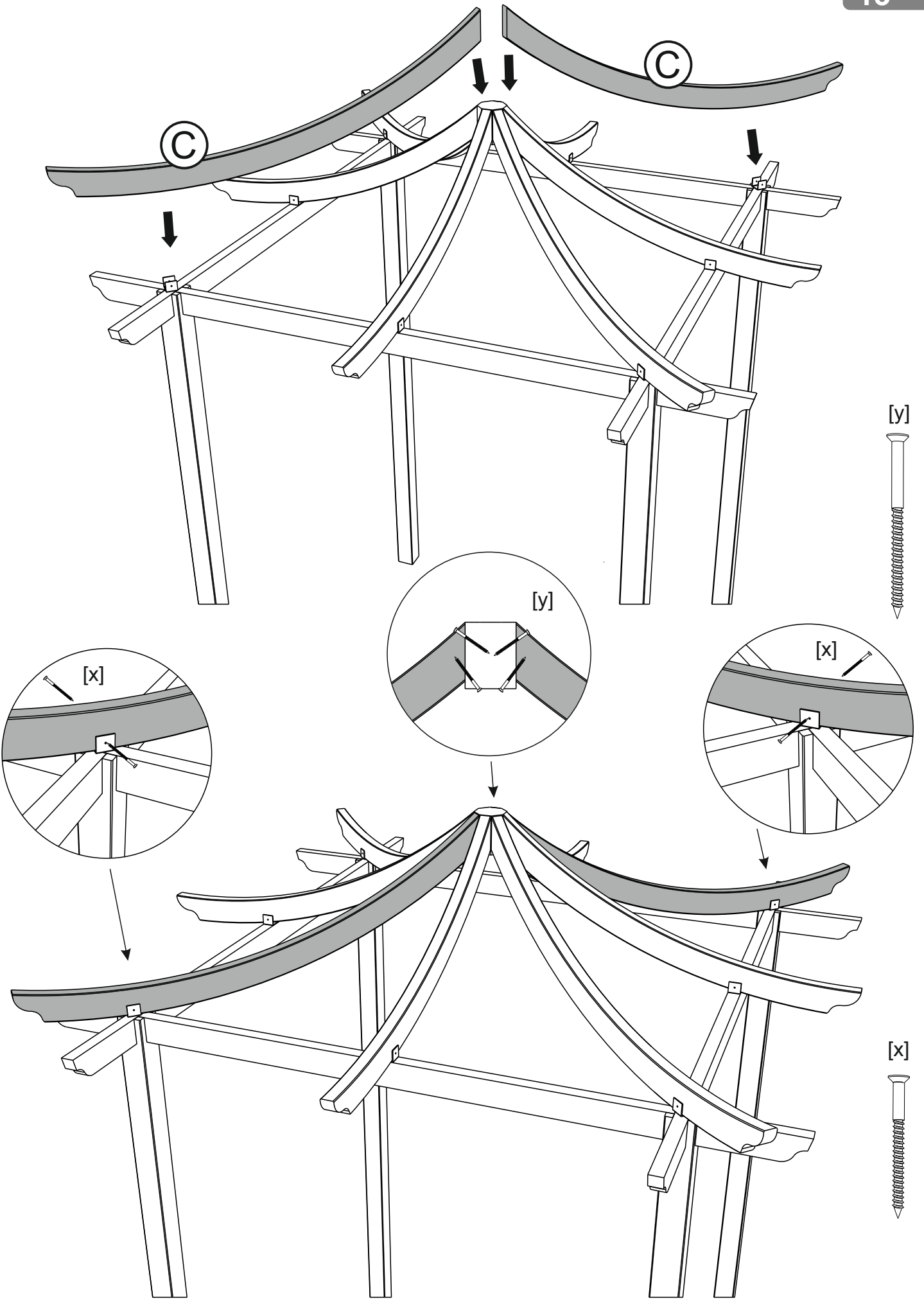


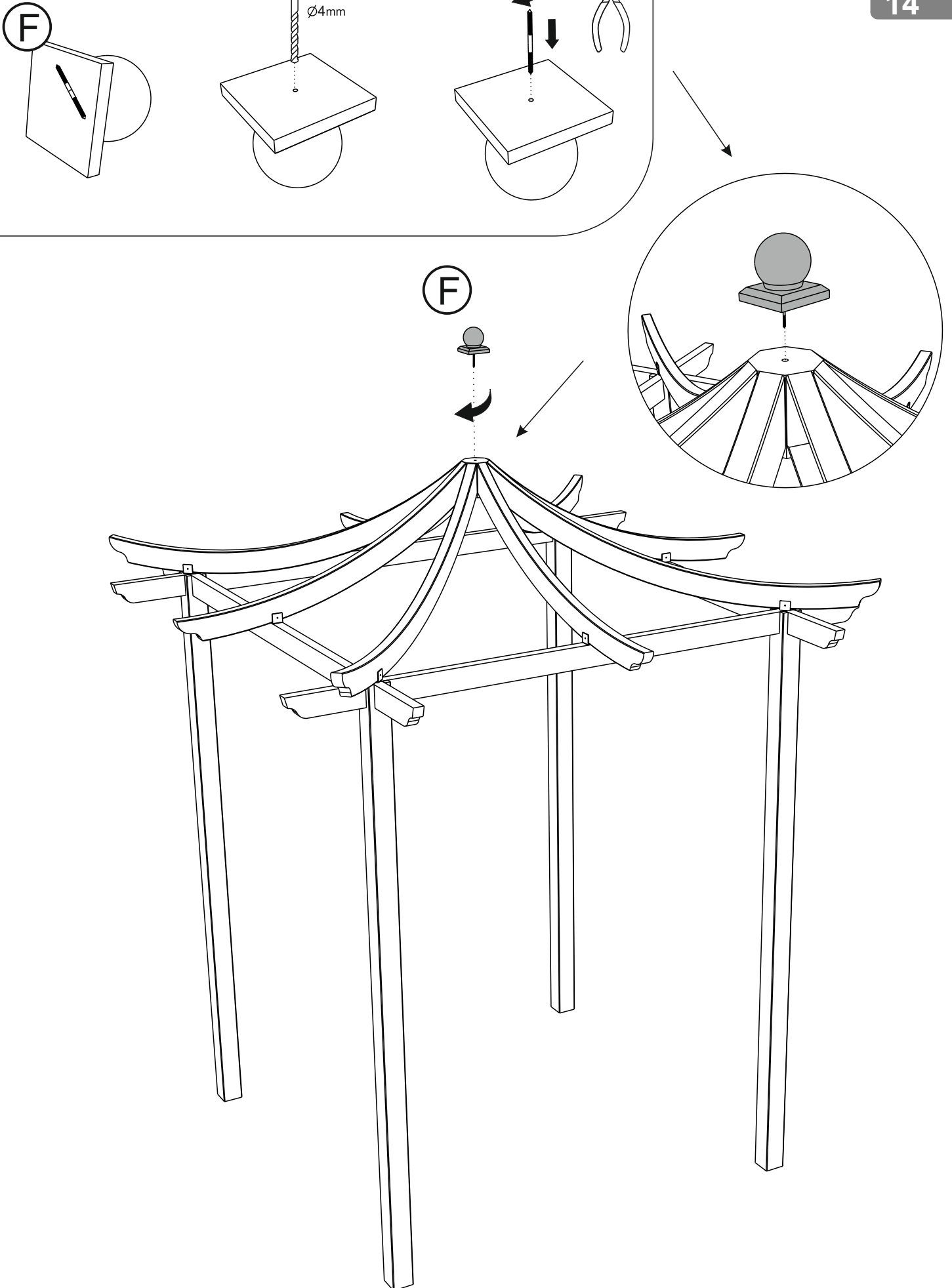










**AFTERCARE**

To ensure longevity of your structure it is recommended that it is treated with a wood preservative on a yearly basis.

Your item is ready!